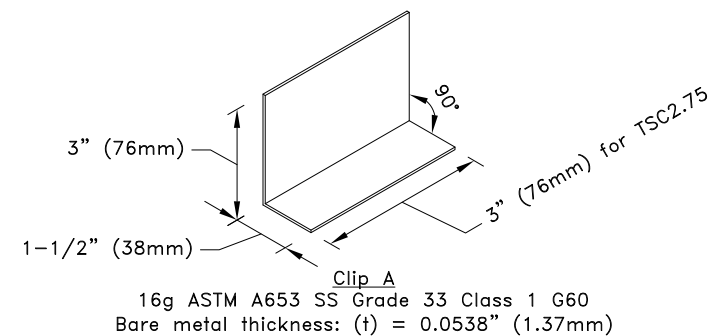
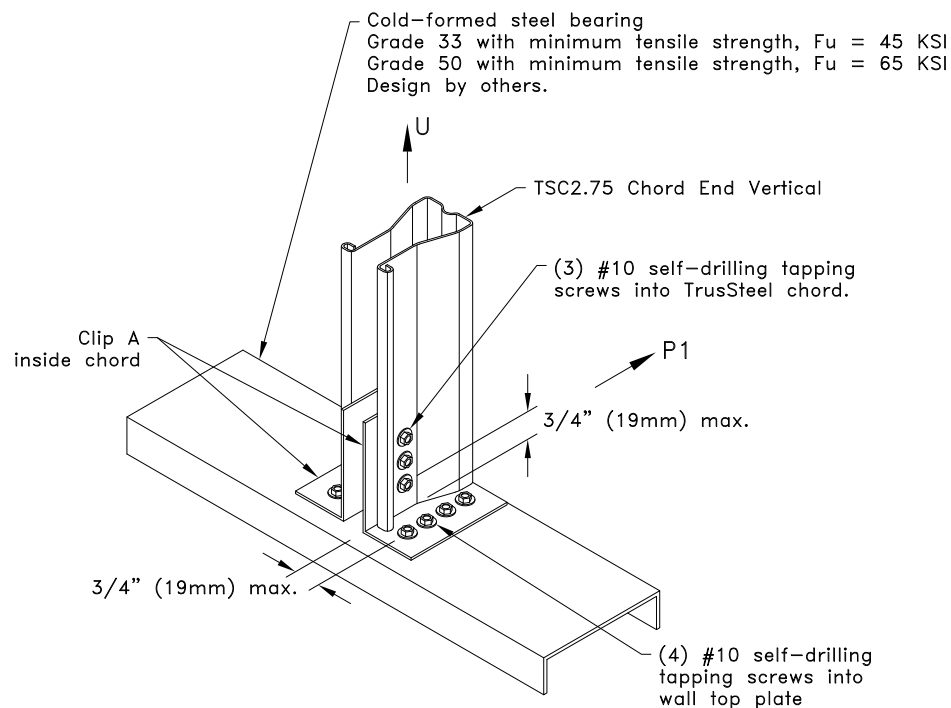


Wall Top Plate / Min Thickness	Allowable U lbs (kN) <sup>A</sup>	Allowable P1 lbs (kN) <sup>A</sup>		
		28TSC	33TSC	43TSC
	Clip on Both Faces	Clip on Both Faces	Clip on Both Faces	Clip on Both Faces
20g (33 mils) Grade 33	670 (2.98)	660 (2.94)	750 (3.34)	760 (3.38)
20g (33 mils) Grade 50	970 (4.31)			
18g (43 mils) Grade 33	870 (3.87)			
18g (43 mils) Grade 50	1260 (5.60)			
16g (54 mils) Grade 33	1100 (4.89)			
16g (54 mils) Grade 50	1580 (7.03)			
14g (68 mils) Grade 33	1380 (6.14)			
14g (68 mils) Grade 50	1960 (8.72)			
12g (97 mils) Grade 33				
12g (97 mils) Grade 50				

A. Allowable loads shown on this detail are not in combination.



**General Notes:**

1. The wall top plate is to be designed by the job engineer. The wall top plate and connection of top plate to wall stud must be designed to support the loads applied to it (downward, upward and lateral).
2. This detail is for 1-Ply or 2-Ply truss only, for 3-Ply trusses contact a TrusSteel engineer.
3. Screw end distance and edge distance is 9/32" (7mm) minimum. Screw spacing is 9/16" (14mm) minimum.
4. Clip is required on both faces, attach the second clip to the opposite face of the chord as detailed.
5. Cold-Formed Steel calculations are per the 2020 supplement to AISI 2016 "North American Specification for the Design of Cold-Formed Steel Structural Members" (S100-16/S2-20).



www.TrusSteel.com

155 Harlem Ave., North Building, 4th Floor / Glenview, IL 60025 / (800) 755-6001

TSC2.75 Chord End Vertical  
Uplift Attachment To  
Cold-Formed Steel Using Screws

Alpine, a division of ITW Building Components Group, Inc. shall not be responsible for any performance failure in a connection due to a deviation from this detail. Any variation from this detail shall be approved in advance by Alpine, a division of ITW Building Components Group, Inc.

**Standard Detail:**

TS075

**Date:**

06/01/22

**TrusSteel Detail Category:**

Truss-To-Bearing: Cold-Formed Steel