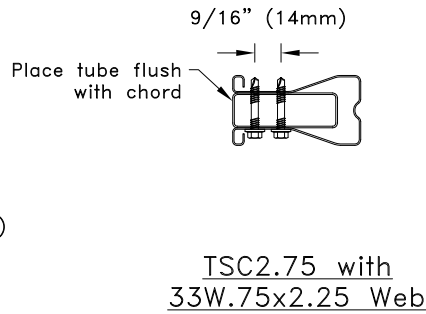
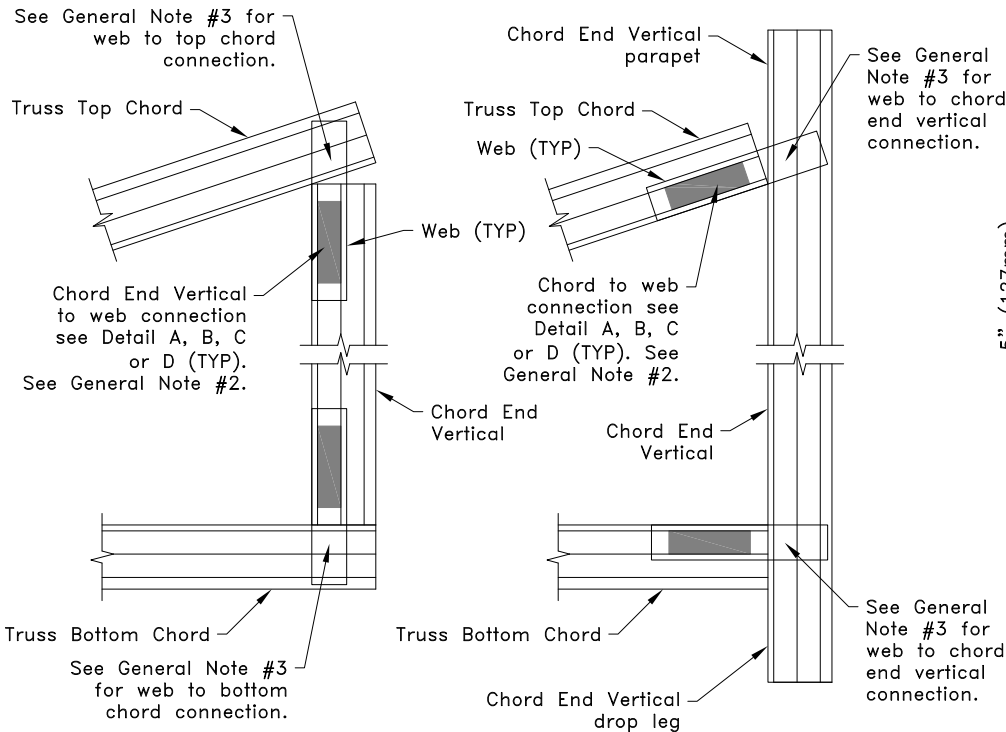


TSC2.75 with  
33W.75x1.5 Web

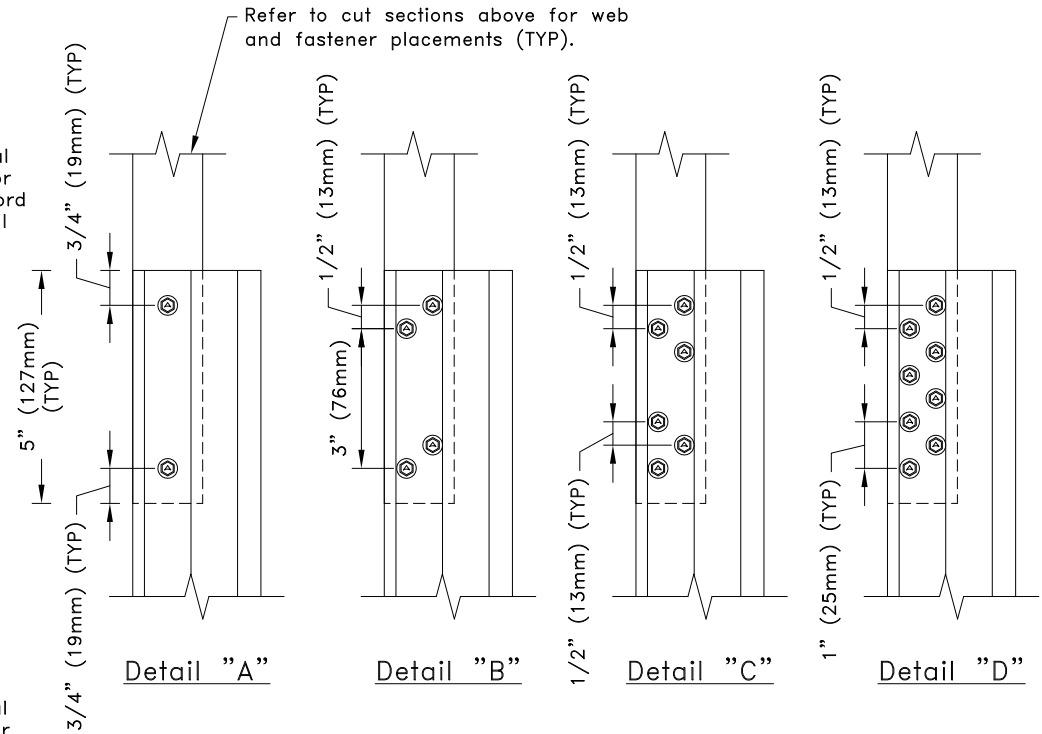


TSC2.75 with  
33W.75x2.25 Web



Chord End Vertical Only

Chord End Vertical With  
Parapet or Drop Leg



General Notes:

1. Fastener spacing and end distance is 3/4" (19mm) minimum, except as shown.
2. Refer to approved truss drawings for fastener type, web size, web length, connection to truss chord and detail call out.
3. Refer to approved truss drawings for fastener type and fastener quantity.



www.TrusSteel.com

Florida: 6750 Forum Drive, Suite 305 / Orlando, FL 32821 / (800) 755-6001  
Missouri: 13723 Riverport Drive, Suite 200 / Maryland Heights, MO 63043 / (800) 326-4102

## TSC2.75 Connection for Chord End Vertical Condition

Alpine, a division of ITW Building Components Group, Inc. shall not be responsible for any performance failure in a connection due to a deviation from this detail. Any variation from this detail shall be approved in advance by Alpine, a division of ITW Building Components Group, Inc.

**Standard Detail:**

TS072

**Date:**

10/11/18

**TrusSteel Detail Category:**

Chord End Vertical