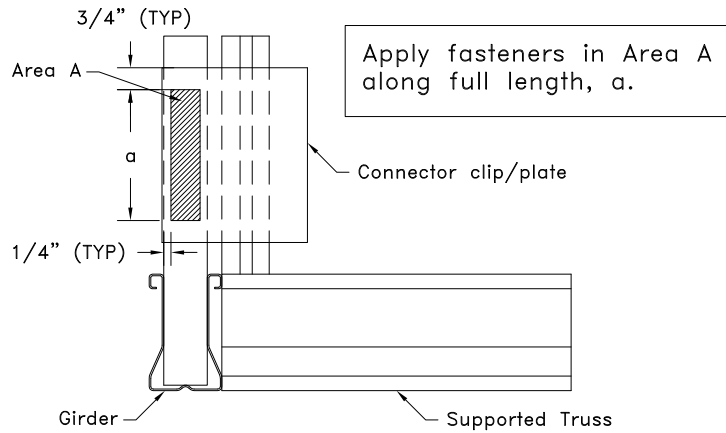
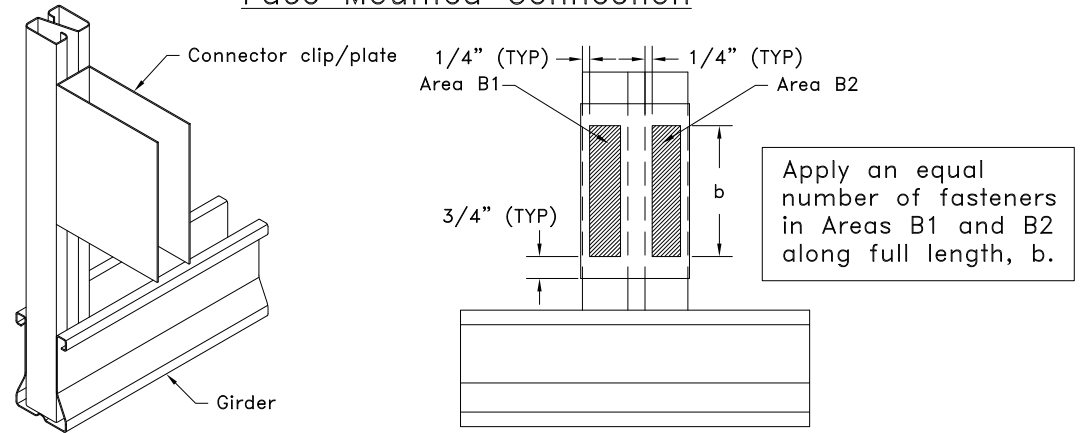


Connection of Clip to Girder Web

Side Mounted Connection

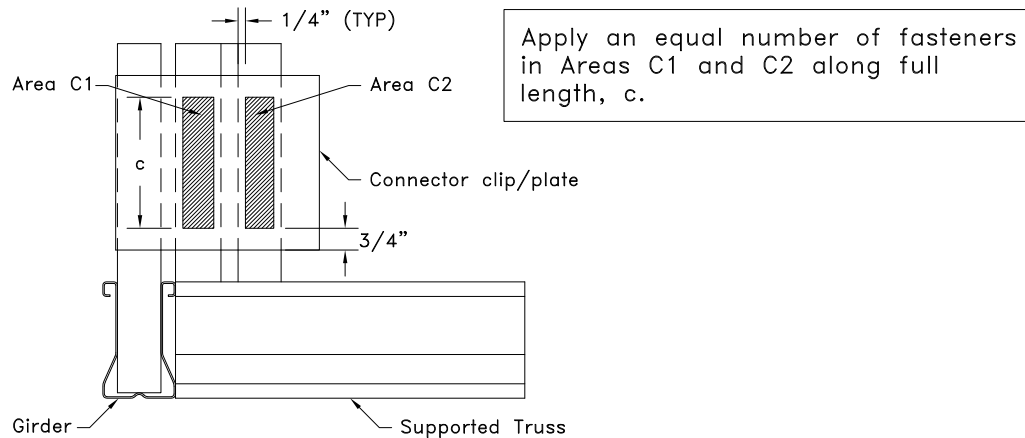


Face Mounted Connection



Connection of Clip to Supported Truss Web

Clip to Web Face



General Notes:

1. Refer to approved truss drawings for supported truss and girder information.
2. For millimeters, multiply distance in inches by 25.4.



www.TrusSteel.com

Florida: 6750 Forum Drive, Suite 305 / Orlando, FL 32821 / (800) 755-6001
 Missouri: 13723 Riverport Drive, Suite 200 / Maryland Heights, MO 63043 / (800) 326-4102

Connection Areas for Clip/Plate to Z-webs

Alpine, a division of ITW Building Components Group, Inc. shall not be responsible for any performance failure in a connection due to a deviation from this detail. Any variation from this detail shall be approved in advance by Alpine, a division of ITW Building Components Group, Inc.

Standard Detail:

TS068

Date:

10/11/18

TrusSteel Detail Category:

Truss-to-Truss Connections