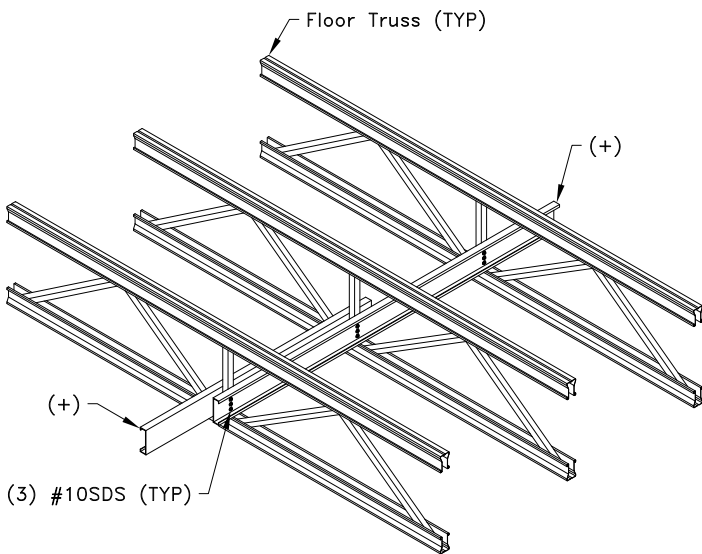
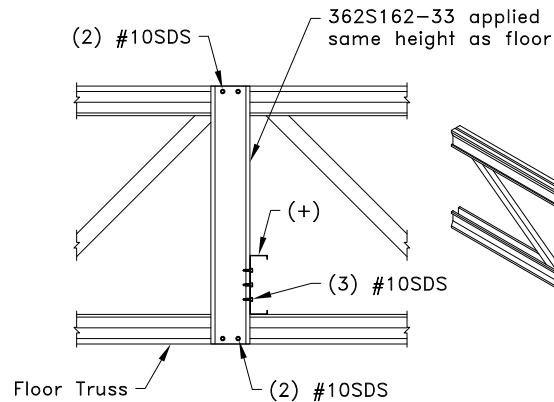


Continuous Strongback Connection

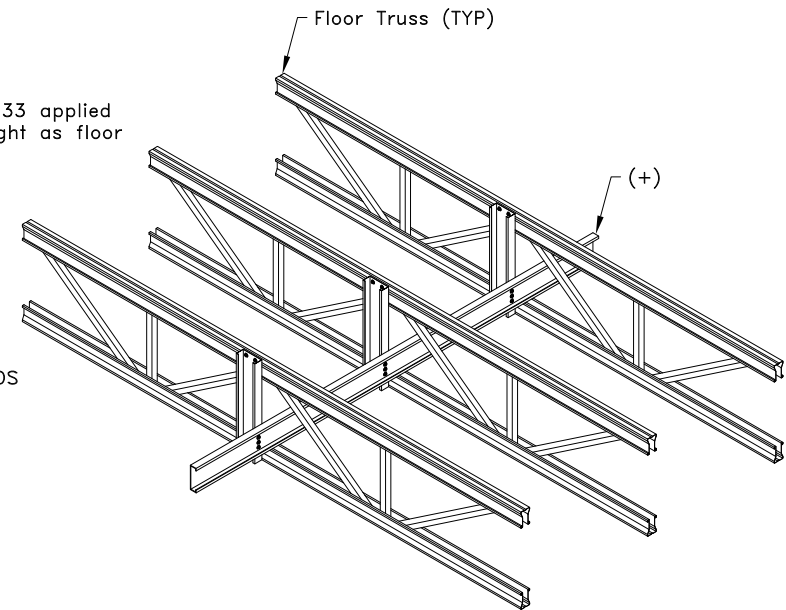


Spliced Strongback Connection

Strongbacks must overlap a distance of one truss-to-truss spacing at splice.



Vertical Stud Connection



Strongback Connection When No Truss Vertical Web Is Present

General Notes:

1. SDS = Self-Drilling Tapping Screw
2. Fastener spacing, edge distance and end distance are 9/16" (14mm).
3. The strongbacks on sealed approved truss drawings for floors are not considered in the structural analysis of the floor trusses, therefore they do not act as support or bearing for these trusses. However, to minimize the dynamic response of floor systems, strongbacks may be specified at a maximum of 10'(3048mm) O.C.
4. Strongbacks should be attached to walls at their outer ends or restrained by other means.
5. Strongbacks should be placed as close to the bottom chord of the floor trusses as possible.
6. (+) 600S162-33, 550S162-33 or 400S200-68 stud member continuous strongback. Attach to each truss where shown with (3) #10SDS into vertical web member.



[www.TrusSteel.com](http://www.TrusSteel.com)

155 Harlem Ave., North Building, 4th Floor / Glenview, IL 60025 / (800) 755-6001

**Strongback Bridging  
Guidelines For TrusSteel  
Floor Trusses**

Alpine, a division of ITW Building Components Group, Inc. shall not be responsible for any performance failure in a connection due to a deviation from this detail. Any variation from this detail shall be approved in advance by Alpine, a division of ITW Building Components Group, Inc.

**Standard Detail:**

TS066

**Date:**

06/01/22

**TrusSteel Detail Category:**

Floor Truss