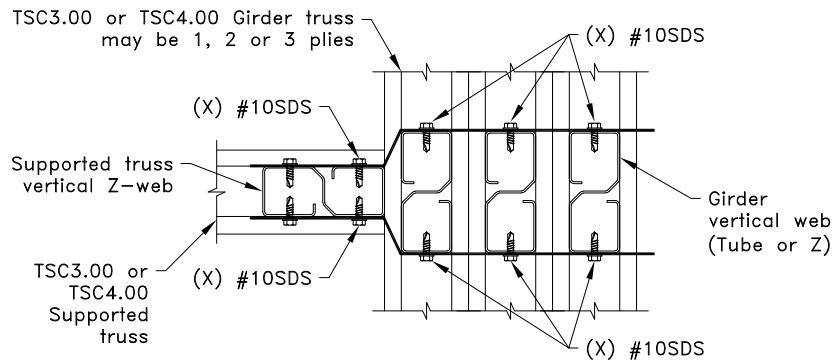
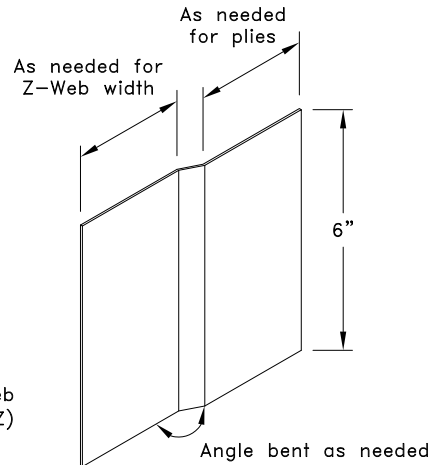
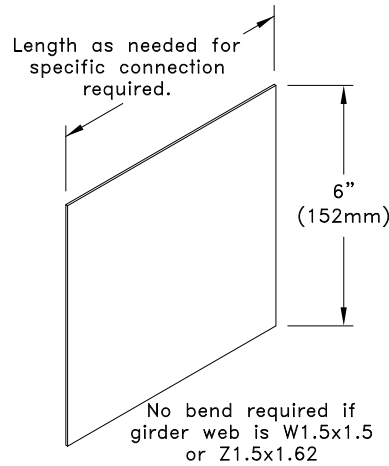


3D View of Clip Connection



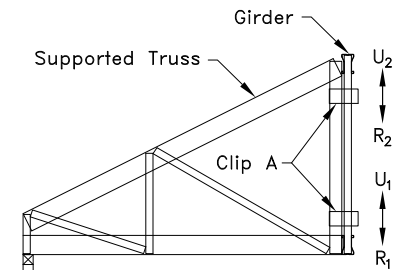
Section A-A



Clip A
 16ga. ASTM A653 Grade 33 G60
 Bare Metal Thickness = 0.0538" (1.37mm)

Allowable Reaction and Uplift lbs (kN)	
X ^A	H = 24 in. (610mm) minimum
	R = U lbs (kN) ^B
5	3000 (13.34)
6	4000 (17.79)
7	4700 (20.91)

A. The quantity "X" refers to the number of #10SDS (Self-Drilling Tapping Screws) that are required on each side of each clip into the web member.
 B. R = Allowable Reaction, U = Allowable Uplift



$$R = R_1 + R_2$$

$$U = U_1 + U_2$$

Typical Supported Truss to Girder Connection

General Notes:

1. The top and bottom chords of all trusses shall be properly connected to structural sheathing or purlins, designed by others.
2. Screw spcing, edge distance and end distance is 9/16" (14mm) minimum.
3. The supported truss must be designed utilizing a clip bearing type.
4. Refer to TS068 for connection areas.
5. Cold-Formed Steel calculations are per the 2020 supplement to AISI 2016 "North American Specification for the Design of Cold-Formed Steel Structural Members" (S100-16/S2-20).



www.TrusSteel.com

155 Harlem Ave., North Building, 4th Floor / Glenview, IL 60025 / (800) 755-6001

Heavy Duty TSC3.00 or TSC4.00
 Truss-To-Truss Connection
 Up To 3-Ply Girder - Z-Webs

Alpine, a division of ITW Building Components Group, Inc. shall not be responsible for any performance failure in a connection due to a deviation from this detail. Any variation from this detail shall be approved in advance by Alpine, a division of ITW Building Components Group, Inc.

Standard Detail:
 TS060C

Date:
 06/01/22

TrusSteel Detail Category:
 Truss-To-Truss Connections