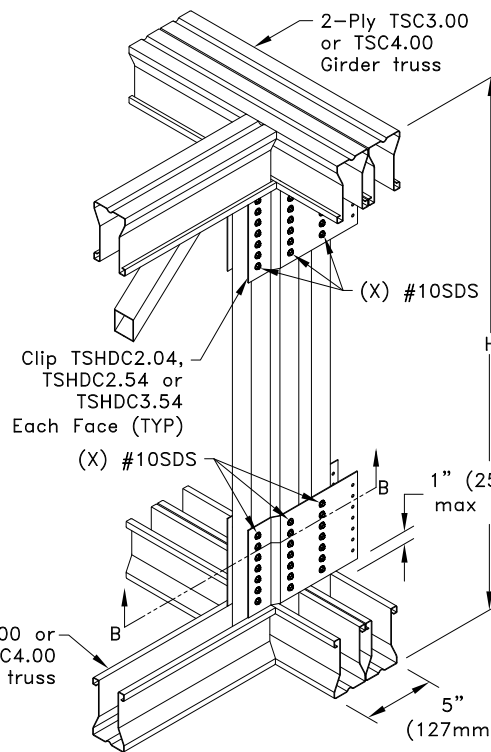


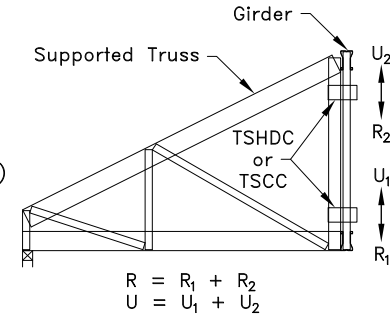
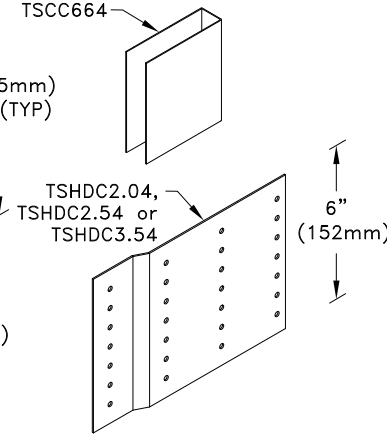
3D View of TSCC664 Clip Conn.



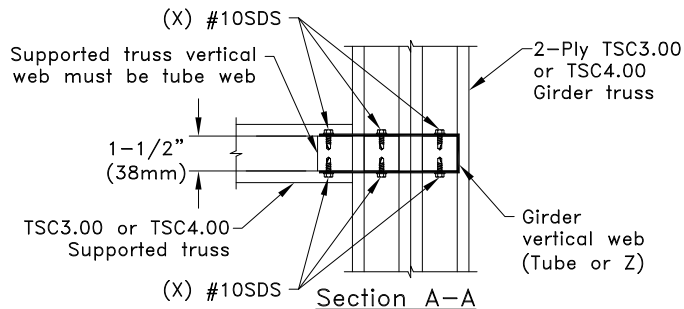
3D View of TSHDC Clip Conn.

Allowable Reaction and Uplift lbs (kN)	
x ^A	H = 24 in. (610mm) minimum
	R = U lbs (kN) ^B
5	3000 (13.34)
6	4000 (17.79)
7	4700 (20.91)

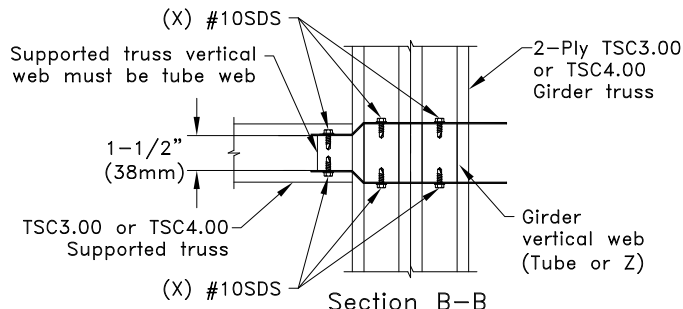
A. The quantity "X" refers to the number of #10SDS (Self-Drilling Tapping Screws) that are required on each side of each clip into the web member.
 B. R = Allowable Reaction, U = Allowable Uplift



Typical Supported Truss to Girder Connection



If width of girder vertical web is:
 1-1/2" (38mm) use clip TSCC664



If width of girder vertical web is:
 2" (51mm) use clip TSHDC2.04
 2-1/2" (64mm) use clip TSHDC2.54
 3-1/2" (90mm) use clip TSHDC3.54

General Notes:

1. The top and bottom chords of all trusses shall be properly connected to structural sheathing or purlins, designed by others.
2. Screw spacing, edge distance and end distance is 9/16" (14mm) minimum.
3. The supported truss must be designed utilizing a clip bearing type.
4. If supported truss web is a Z-web, refer to TS060C for connection.
5. Cold-Formed Steel Calculations are per the AISI 2016 "North American Specifications for the Design of Cold-Formed Steel Structural Members" (S100-16).



www.TrusSteel.com

Florida: 6750 Forum Drive, Suite 305 / Orlando, FL 32821 / (800) 755-6001
 Missouri: 13723 Riverport Drive, Suite 200 / Maryland Heights, MO 63043 / (800) 326-4102

Heavy TSC3.00 or TSC4.00 Truss-To-Truss Connection (2 Ply Girder) Tube Webs

Alpine, a division of ITW Building Components Group, Inc. shall not be responsible for any performance failure in a connection due to a deviation from this detail. Any variation from this detail shall be approved in advance by Alpine, a division of ITW Building Components Group, Inc.

Standard Detail:
 TS060A

Date:
 10/11/18

TrusSteel Detail Category:
 Truss-To-Truss Connections