

Contact a TrusSteel engineer if the approved truss drawing has been analyzed with a bearing under the bottom chord. Resisting uplift at the top chord of the truss changes the truss analysis.

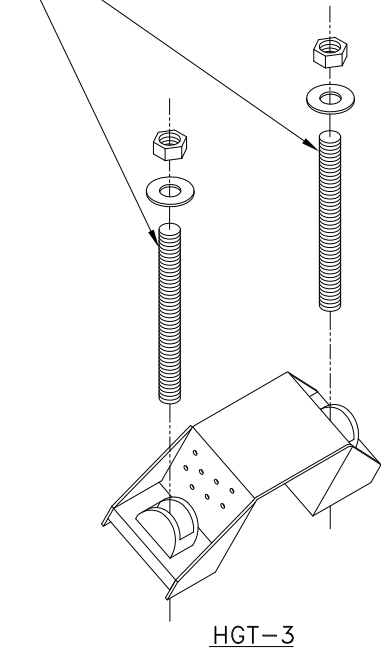
Maximum Allowable Uplift
Capacity lbs. (kN)^A

8980 (39.95)

Connection offers no
lateral resistance

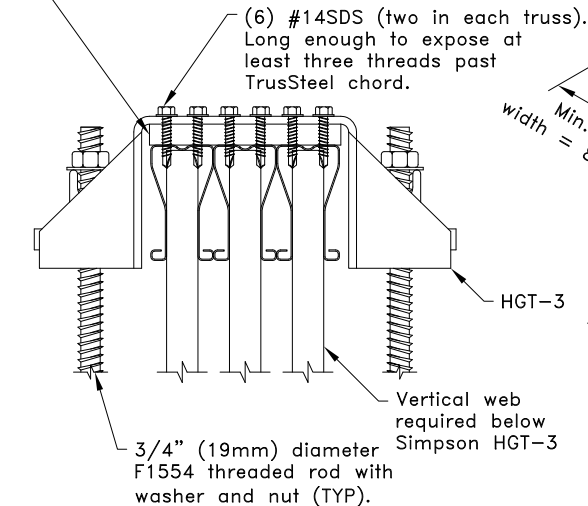
A. The design values given above are for uncracked concrete.

3/4" (19mm) diameter ASTM F1554 Grade 36 threaded rod with washer and nut.

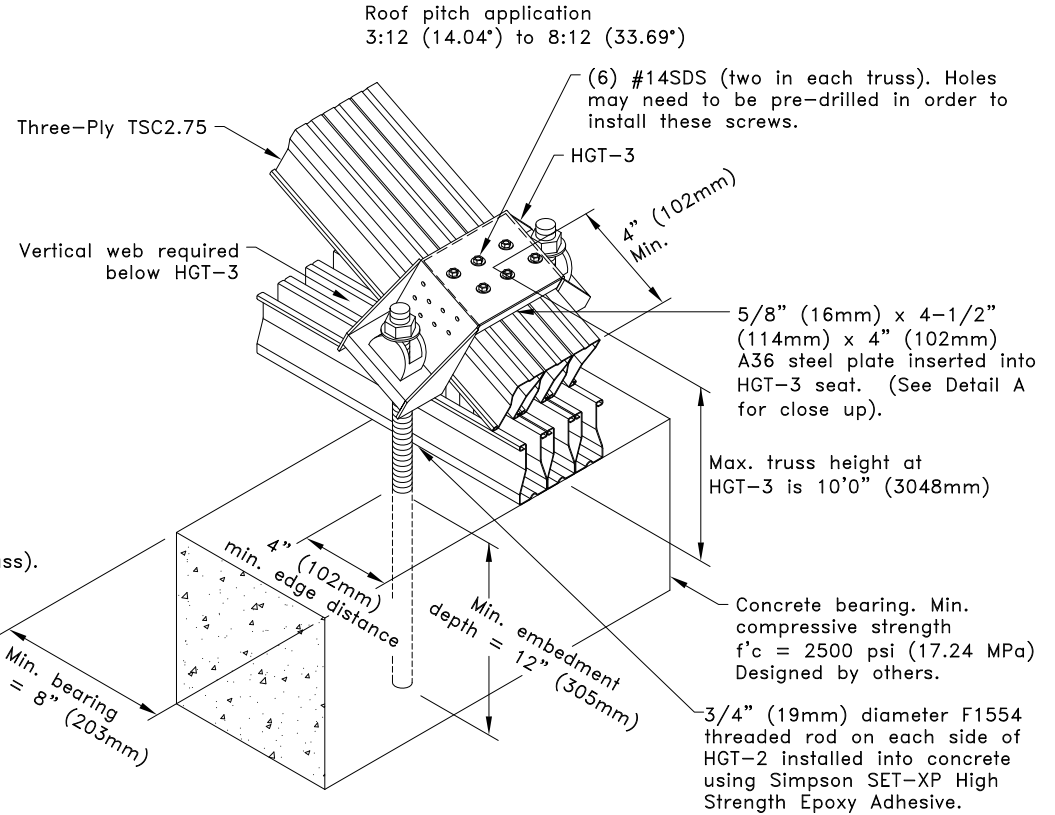


HGT-3

5/8" (16mm) x 4-1/2" (114mm) x 4" (102mm) A36 steel plate.



Detail A



General Notes:

1. Refer to Simpson Strong-Tie literature and code approvals for proper installation procedures for SET-XP epoxy anchors.
2. Concrete design by job engineer. Concrete may require additional horizontal and vertical reinforcement to transfer loads per Simpson Strong-Tie literature.
3. Minimum threaded rod length shall be determined by 12" (305mm) minimum embedment and at least three exposed threads above nut on threaded rod.
4. Attachment of second rod assembly on opposite face is identical to what is detailed.
5. SDS = self-drilling tapping screw
6. Cold-Formed Steel Calculations are per the AISI 2016 "North American Specifications for the Design of Cold-Formed Steel Structural Members" (S100-16).



www.TrusSteel.com

Florida: 6750 Forum Drive, Suite 305 / Orlando, FL 32821 / (800) 755-6001
Missouri: 13723 Riverport Drive, Suite 200 / Maryland Heights, MO 63043 / (800) 326-4102

**Simpson HGT-3 Uplift
Attachment To Concrete**
Three-Ply TSC2.75 With Seat Plate

ITW Building Components Group, Inc. shall not be responsible for any performance failure in a connection due to a deviation from this detail. Any variation from this detail shall be approved in advance by ITW Building Components Group, Inc.

Standard Detail:

TS055

Date:

10/11/18

TrusSteel Detail Category:

Truss-To-Bearing: Concrete