

Contact a TrusSteel engineer if the approved truss drawing has been analyzed with a bearing under the bottom chord. Resisting uplift at the top chord of the truss changes the truss analysis.

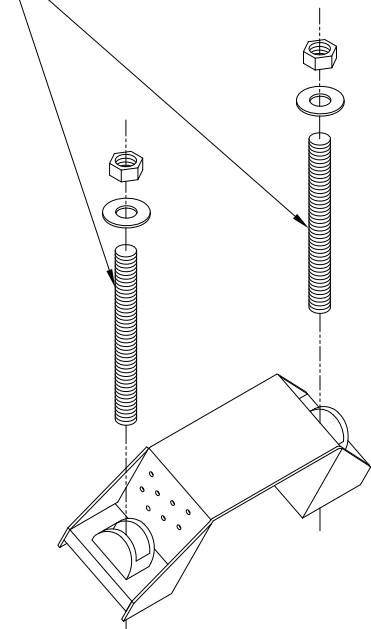
Maximum Allowable Uplift Capacity lbs. (kN)^A

6420 (28.56)

Connection offers no lateral resistance

A. The design values given above are for uncracked concrete.

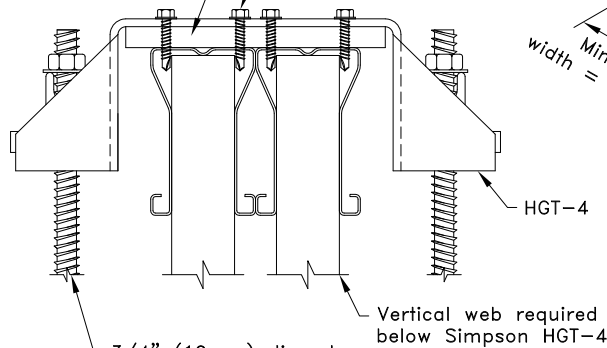
3/4" (19mm) diameter ASTM F1554 Grade 36 threaded rod with washer and nut.



Simpson HGT-4

5/8" (16mm) x 6" (152mm) x 4" (102mm) A36 steel plate.

(4) #14SDS (two in each truss). Long enough to expose at least three threads past TrusSteel chord.



3/4" (19mm) diameter F1554 threaded rod with washer and nut (TYP).

Detail A

Two-Ply TSC3.00 or TSC4.00

Vertical web required below HGT-4

Roof pitch application
3:12 (14.04°) to 8:12 (33.69°)

(4) #14SDS. Holes may need to be pre-drilled in order to install these screws.

HGT-4

4" (102mm) min.

5/8" (16mm) x 6" (152mm) x 4" (102mm) A36 steel plate inserted into HGT-4 seat. (See Detail A for close up).

Max. truss height at HGT-4 is 10'0" (3048mm)

Min. bearing width = 8" (203mm)

min. 4" (102mm) edge distance
Min. embedment depth = 12" (305mm)

Concrete bearing. Min. compressive strength $f'_c = 2500$ psi (17.24 MPa) Designed by others.

3/4" (19mm) diameter F1554 threaded rod on each side of HGT-2 installed into concrete using Simpson SET-XP High Strength Epoxy Adhesive.

General Notes:

1. Refer to Simpson Strong-Tie literature and code approvals for proper installation procedures for SET-XP epoxy anchors.
2. Concrete design by job engineer. Concrete may require additional horizontal and vertical reinforcement to transfer loads per Simpson Strong-Tie literature.
3. Minimum threaded rod length shall be determined by 12" (305mm) minimum embedment and at least three exposed threads above nut on threaded rod.
4. Attachment of second rod assembly on opposite face is identical to what is detailed.
5. SDS = self-drilling tapping screw
6. Cold-Formed Steel Calculations are per the AISI 2016 "North American Specifications for the Design of Cold-Formed Steel Structural Members" (S100-16).



www.TrusSteel.com

Florida: 6750 Forum Drive, Suite 305 / Orlando, FL 32821 / (800) 755-6001
Missouri: 13723 Riverport Drive, Suite 200 / Maryland Heights, MO 63043 / (800) 326-4102

Simpson HGT-4 Uplift Attachment To Concrete
Two-Ply TSC3.00 or TSC4.00 With Seat Plate

ITW Building Components Group, Inc. shall not be responsible for any performance failure in a connection due to a deviation from this detail. Any variation from this detail shall be approved in advance by ITW Building Components Group, Inc.

Standard Detail:
TS054

Date:
10/11/18

TrusSteel Detail Category:
Truss-To-Bearing: Concrete