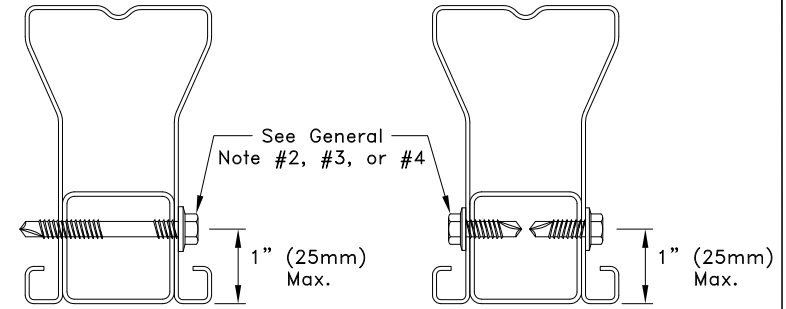
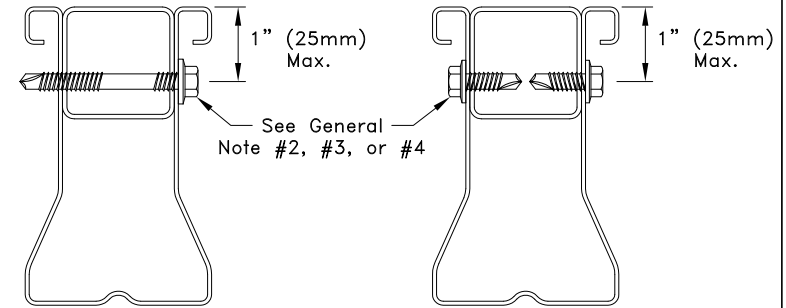


**Detail A**  
**Chord Reinforcement Fastener Placement**



**Section A-A**  
(Fastener placement with 14AMD fasteners into reinforcement)

**Alternate Section A-A**  
(Fastener placement with #14AMS.75 fasteners into reinforcement)



**Section B-B**  
(Fastener placement with 14AMD fasteners into reinforcement)

**Alternate Section B-B**  
(Fastener placement with #14AMS.75 fasteners into reinforcement)

**General Note:**

1. TrusSteel Chord reinforcement for TSC2.75 is 33W.75X1.5 and for TSC3.00 and TSC4.00 is 33W1.5X1.5
2. TSC2.75 fastener selection must be one of the following: #14AMDB1.25, or #14AMS.75
3. For 28TSC3.00, 33TSC3.00, 43TSC3.00, 54TSC3.00, 28TSC4.00, 33TSC4.00, 43TSC4.00, and 54TSC4.00, fastener selection must be one of the following: #14AMDB2.125, or #14AMS.75
4. For 68TSC4.00 and 97TSC4.00, fastener selection must be #14AMDR2.375 or #14AMS.75
5. Noted as "RC" on approved truss drawing.



[www.TrusSteel.com](http://www.TrusSteel.com)

Florida: 6750 Forum Drive, Suite 305 / Orlando, FL 32821 / (800) 755-6001  
Missouri: 13723 Riverport Drive, Suite 200 / Maryland Heights, MO 63043 / (800) 326-4102

## Chord Reinforcement

Alpine, a division of ITW Building Components Group, Inc. shall not be responsible for any performance failure in a connection due to a deviation from this detail. Any variation from this detail shall be approved in advance by Alpine, a division of ITW Building Components Group, Inc.

**Standard Detail:**

TS046A

**Date:**

10/11/18

**TrusSteel Detail Category:**

Bracing / Reinforcement