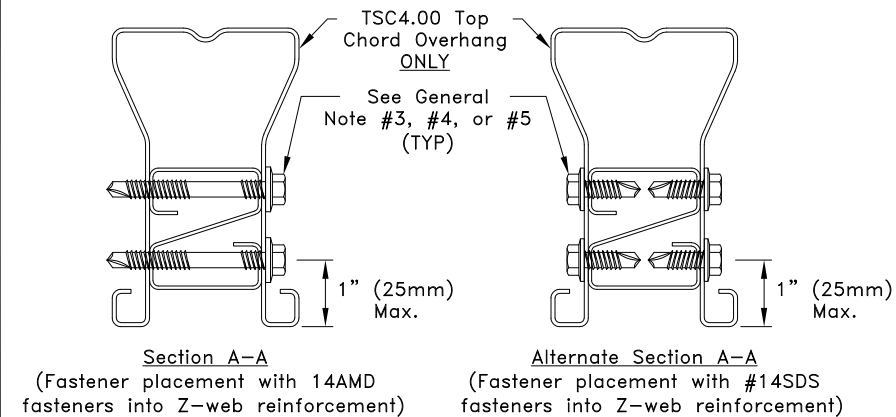


**Detail A**  
**Overhang Reinforcement Fastener Placement**



**General Note:**

1. SDS = Self-Drilling Tapping Screw.
2. TrusSteel overhang reinforcement for TSC2.75 is 33W.75X1.5 min., for TSC3.00 is 33W1.5X1.5 and for TSC4.00 is 33W1.5X1.5, or 33Z1.5X1.62 min.
3. TSC2.75 fastener selection must be one of the following: #14AMDB1.25, or #14SDS
4. For 28TSC3.00, 33TSC3.00, 43TSC3.00, 54TSC3.00, 28TSC4.00, 33TSC4.00, 43TSC4.00, and 54TSC4.00, fastener selection must be one of the following: #14AMDB2.125, or #14SDS
5. For 68TSC4.00 and 97TSC4.00, fastener selection must be #14AMDR2.375 or #14SDS



www.TrusSteel.com

155 Harlem Ave., North Building, 4th Floor / Glenview, IL 60025 / (800) 755-6001

**Top Chord Overhang Reinforcement**

Alpine, a division of ITW Building Components Group, Inc. shall not be responsible for any performance failure in a connection due to a deviation from this detail. Any variation from this detail shall be approved in advance by Alpine, a division of ITW Building Components Group, Inc.

**Standard Detail:**

TS046

**Date:**

06/01/22

**TrusSteel Detail Category:**

Bracing / Reinforcement