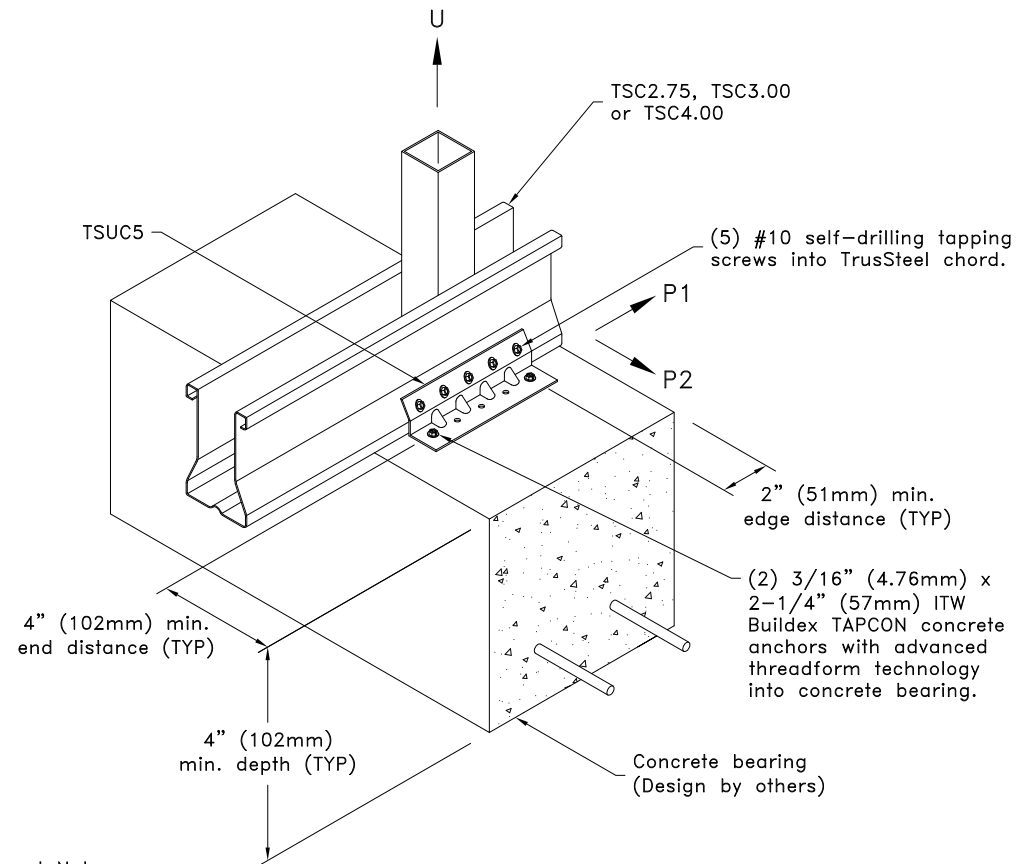
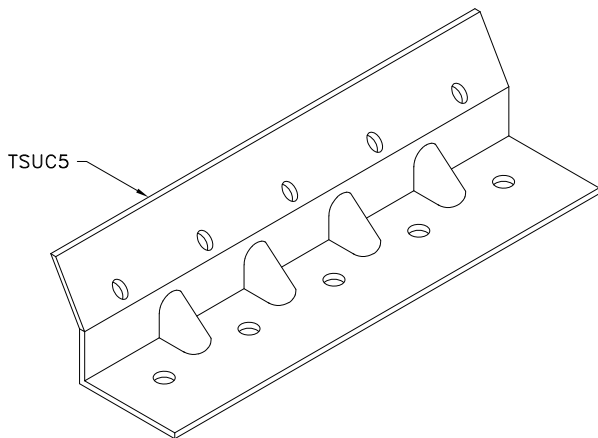


Allowable U lbs (kN) ^{A,B,C,D}				
Concrete Strength f' _c , psi (MPa)	TSC2.75		TSC3.00 or TSC4.00	
	Clip on one face ^E	Clip on both faces	Clip on one face ^E	Clip on both faces
2500 (17.24)	400 (1.78)	520 (2.31)	440 (1.96)	1040 (4.63)
3000 (20.68)	400 (1.78)	570 (2.54)	480 (2.14)	1140 (5.07)
4000 (27.58)	400 (1.78)	660 (2.94)	550 (2.45)	1320 (5.87)
5000 (34.47)	400 (1.78)	740 (3.29)	620 (2.76)	1480 (6.58)
Allowable P1 & P2 lbs (kN) ^{A,B,C,D}				
Chord	P1		P2	
	Clip on one face ^E	Clip on both faces	Clip on one face ^E	Clip on both faces
TSC2.75	430 (1.91)	580 (2.58)	430 (1.91)	580 (2.58)
TSC3.00 or TSC4.00	430 (1.91)	680 (3.02)	430 (1.91)	670 (2.98)

- A. Allowable loads shown on this detail are not in combination.
 B. Special inspection is required. Refer to ICC ESR-2202 (October, 2021) regarding proper installation of anchors and requirements for special inspection.
 C. Per ICC ESR-2202 (October, 2021), the design values given above are for uncracked concrete only.
 D. Allowable loads outlined are based on the assumption that 70% of the applied load is live load and 30% is dead load.
 E. Uplift connections with clip on one face require web above connection.



General Notes:

1. This detail shall not be used to resist seismic loads.
2. If a clip is required on both faces, attach the second clip to the opposite face of the chord as detailed.
3. Multi-ply trusses require a clip on each face. Refer to TrusSteel detail drawing TS023A for ply-to-ply connections for 3-Ply trusses with a clip on each face.
4. Fill outside holes of TSUC5 clip with TAPCON concrete anchors as shown.
5. Concrete anchor is not to be installed until concrete has reached the specified design strength.
6. Design of tapcons are per ICC ESR-2202 (October, 2021).
7. Cold-Formed Steel calculations are per the 2020 supplement to AISI 2016 "North American Specification for the Design of Cold-Formed Steel Structural Members" (S100-16/S2-20).



www.TrusSteel.com

155 Harlem Ave., North Building, 4th Floor / Glenview, IL 60025 / (800) 755-6001

TSUC5 Uplift Attachment To Concrete Bearing

Alpine, a division of ITW Building Components Group, Inc. shall not be responsible for any performance failure in a connection due to a deviation from this detail. Any variation from this detail shall be approved in advance by Alpine, a division of ITW Building Components Group, Inc.

Standard Detail:

TS031

Date:

06/01/22

TrusSteel Detail Category:

Truss-To-Bearing: Concrete