

### Connection Detail A

Maximum Limits:

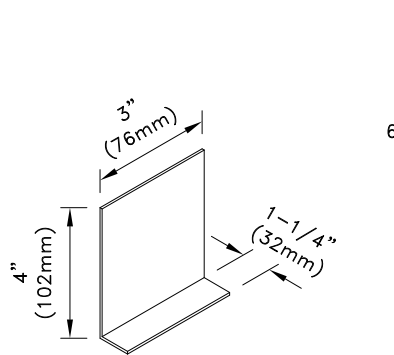
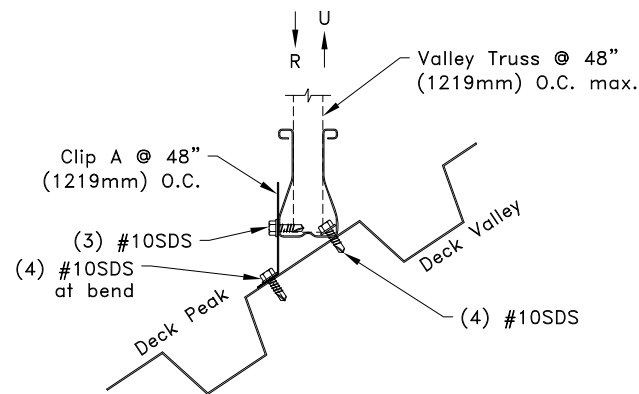
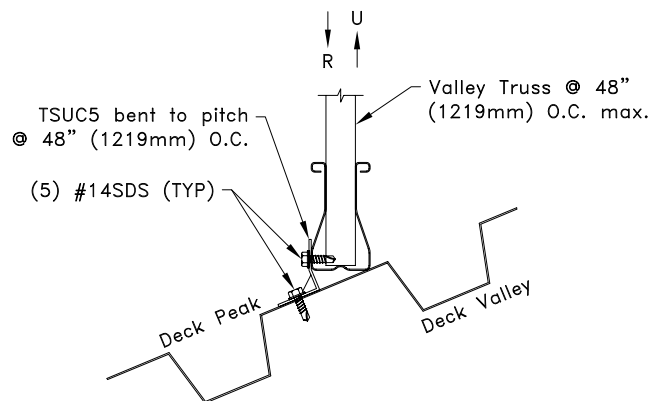
Pitch: 5/12 maximum for TSC2.75 Valley  
 R = 670 lbs (2.98 kN)  
 U = 405 lbs (1.80 kN)  
 Pitch: 3/12 max. for TSC3.00 or TSC4.00 Valley  
 R = 800 lbs (3.56 kN)  
 U = 440 lbs (1.96 kN)

OR

### Connection Detail B

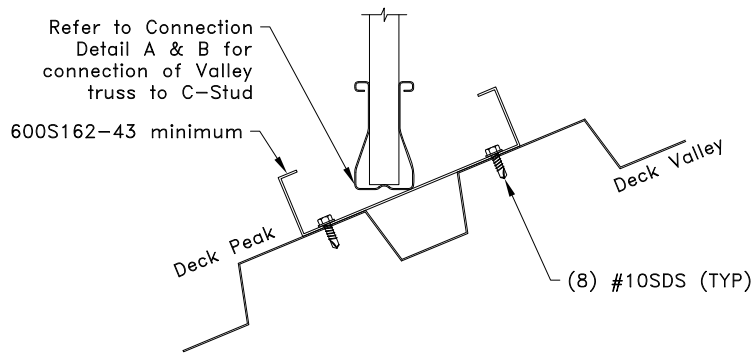
Maximum Limits:

Pitch Range: 12/12 maximum  
 R = 670 lbs (2.98 kN)  
 U = 570 lbs (2.54 kN)



Clip A

18ga ASTM A653 SS Grade 33 G60  
 Bare Metal Thickness = 0.0428" (1.087mm)  
 Bend clip to roof pitch.



Connection of C-Stub to Span Deck Valley

If valley truss falls within deck valley, use 600S162-43 to span the distance as shown below.

#### General Notes:

1. SDS = Self-Drilling Tapping Screw. #10SDS spacing, edge distance and end distance is 9/16" (14mm) minimum. #14SDS spacing, edge distance and end distance is 3/4" (19mm) minimum.
2. Steel deck must be ASTM A653 or A1008, Grade 33 minimum, with a bare metal thickness of 0.028" (0.711mm) minimum. The maximum width of the deck valley cannot exceed 4-1/2" (114mm).
3. In lieu of 600S162-43, a 6"x6" (152mmX152mm) 18g. ASTM A653 Grade 33 steel sheet (bare metal thickness = 0.0428" (1.087mm)) may be used.
4. Refer to approved truss drawings for valley truss designs. Valley truss bottom chord panels not to exceed 4'0" (1219mm).
5. R refers to vertical reaction and U refers to uplift.
6. Cold-Formed Steel Calculations are per the AISI 2016 "North American Specifications for the Design of Cold-Formed Steel Structural Members" (S100-16).



www.TrusSteel.com

Florida: 6750 Forum Drive, Suite 305 / Orlando, FL 32821 / (800) 755-6001  
 Missouri: 13723 Riverport Drive, Suite 200 / Maryland Heights, MO 63043 / (800) 326-4102

## TrusSteel Valley Truss Connection to Steel Deck

Alpine, a division of ITW Building Components Group, Inc. shall not be responsible for any performance failure in a connection due to a deviation from this detail. Any variation from this detail shall be approved in advance by Alpine, a division of ITW Building Components Group, Inc.

Standard Detail:

TS026A

Date:

10/11/18

TrusSteel Detail Category:

Valley Set