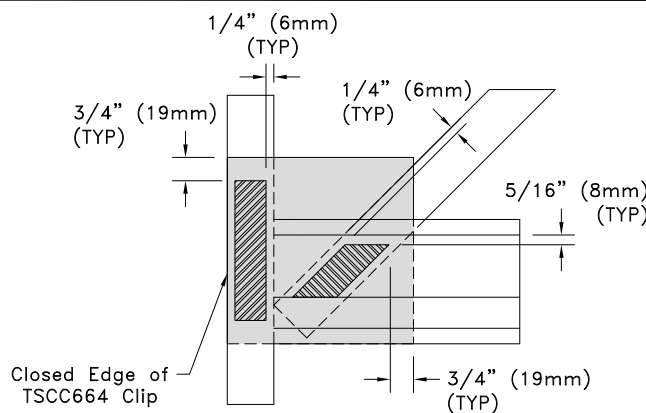
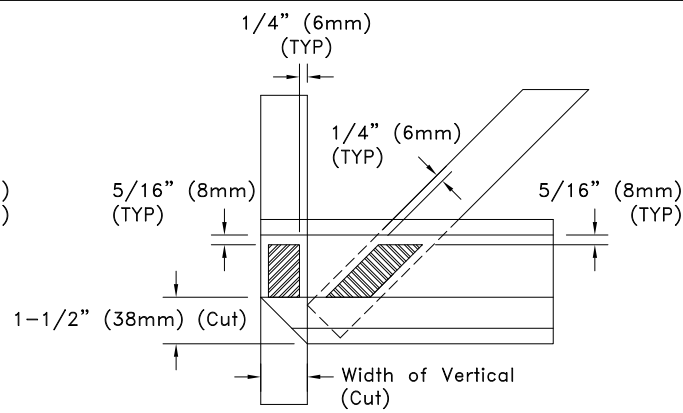


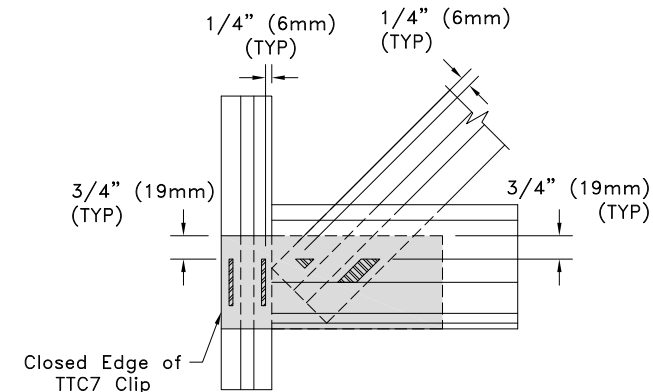
Fasteners Through The Tube Web Area
TTC7 Clip



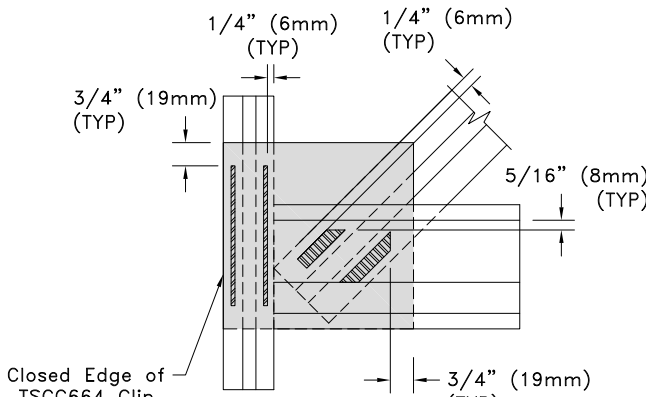
Fasteners Through The Tube Web Area
TSCC664 Clip



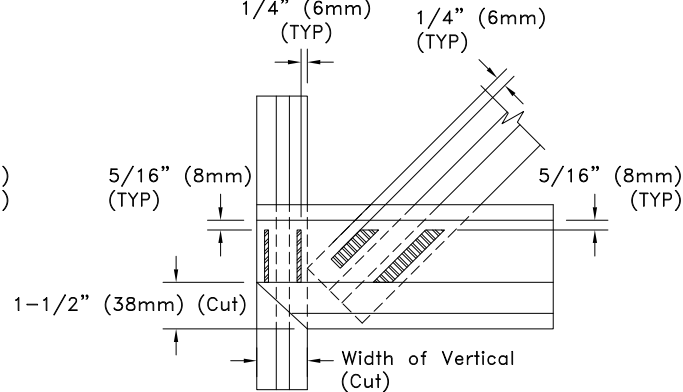
Fasteners Through The Tube Web Area
Coped Chord



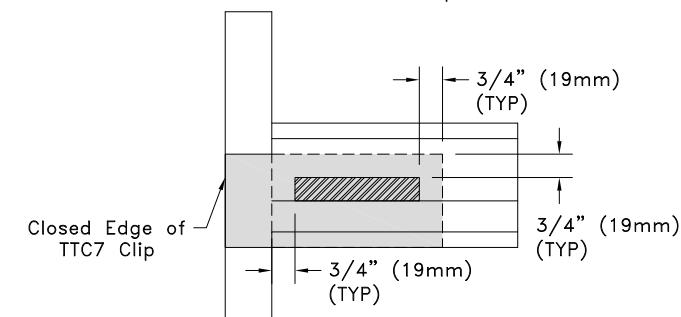
Fasteners Through The Z-Web Area
TTC7 Clip



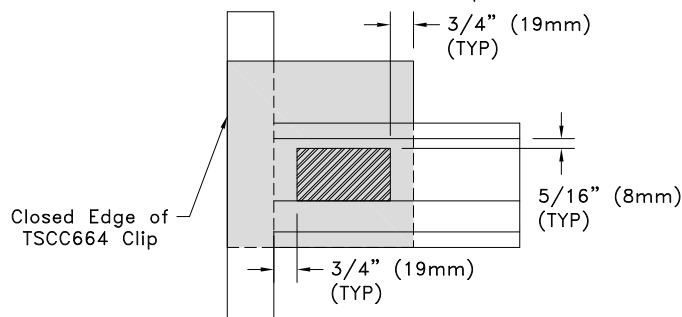
Fasteners Through The Z-Web Area
TSCC664 Clip



Fasteners Through The Z-Web Area
Coped Chord



Fasteners Through The Chord Area
TTC7 Clip



Fasteners Through The Chord Area
TSCC664 Clip

General Notes:

1. Fastener spacing and end distance is 3/4" (19mm) minimum, except as shown.
2. Refer to approved truss drawings for required fastener type and quantities for each fastener contact area.
3. Fastener contact areas that coincide with other contact areas may use a common fastener for both areas. This will result in a reduction in the total number of fasteners required at the pitch break joint.
4. = Fastener contact area.
5. Dashed lines indicate portion of web or clip that is inside clip or chord, respectively.



www.TrusSteel.com

Florida: 6750 Forum Drive, Suite 305 / Orlando, FL 32821 / (800) 755-6001
Missouri: 13723 Riverport Drive, Suite 200 / Maryland Heights, MO 63043 / (800) 326-4102

**TSC3.00 or TSC4.00 Clipped
and Coped Connections
Connector Fastener Areas**

Alpine, a division of ITW Building Components Group, Inc. shall not be responsible for any performance failure in a connection due to a deviation from this detail. Any variation from this detail shall be approved in advance by Alpine, a division of ITW Building Components Group, Inc.

Standard Detail:

TS016E

Date:

10/11/18

TrusSteel Detail Category:

Pitch Break Connections