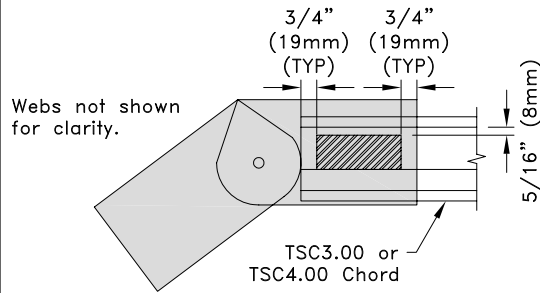
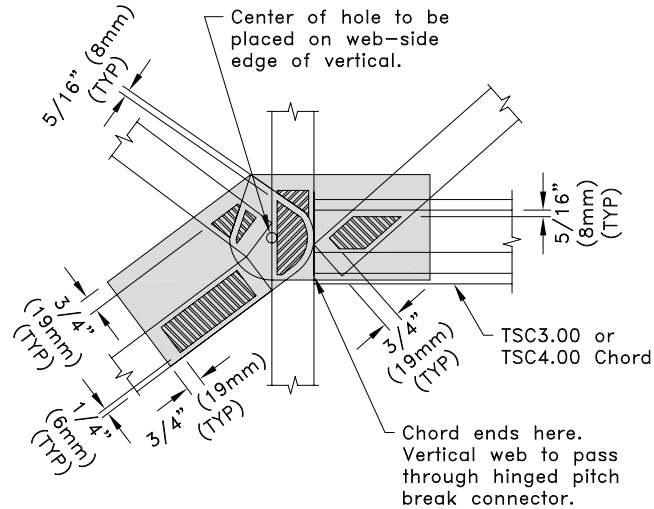


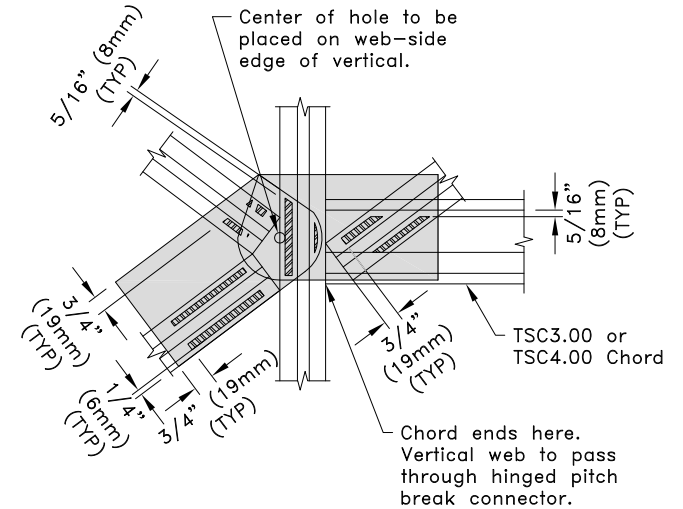
Fasteners Through The Lapped Area
43TSHC5.0K or 54TSHC5.0K
Hinged Pitch Break Connector



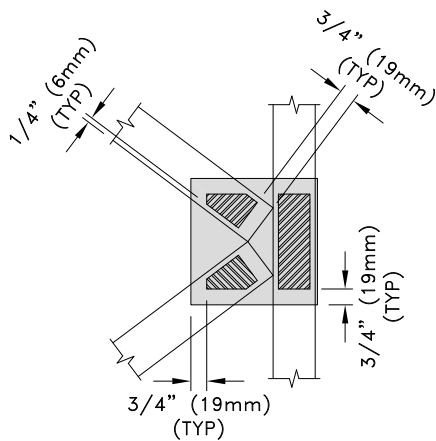
Fasteners Through The Chord Area
43TSHC5.0K or 54TSHC5.0K
Hinged Pitch Break Connector



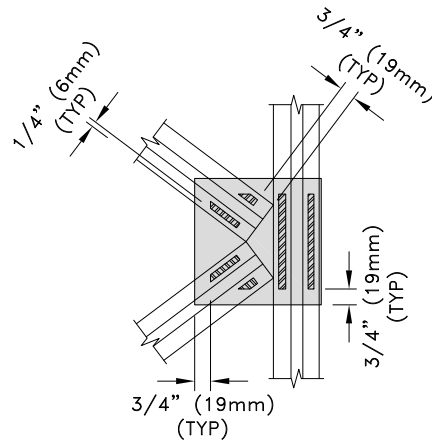
Fasteners Through The Tube Web Areas
43TSHC5.0K or 54TSHC5.0K
Hinged Pitch Break Connector



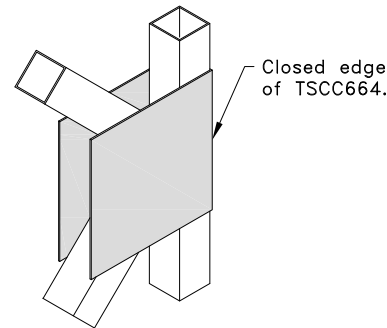
Fasteners Through The Z-Web Areas
43TSHC5.0K or 54TSHC5.0K
Hinged Pitch Break Connector



Fasteners Through The Tube Web Areas
TSCC664 Clip Used In Web-To-Web
K-Web Connection




Fasteners Through The Z-Web Areas
TSCC664 Clip Used In Web-To-Web
K-Web Connection



3D View Of TSCC664 With Webs
TSCC664 Clip Used In Web-To-Web
K-Web Connection

General Notes:

1. Fastener spacing and end distance is 3/4" (19mm) minimum, except as shown.
2. Refer to approved truss drawings for required fastener type and quantities for each fastener contact area.
3. Fastener contact areas that coincide with other contact areas may use a common fastener for both areas. This will result in a reduction in the total number of fasteners required at the pitch break joint.
4.  = Fastener contact area.



www.TrusSteel.com

Florida: 6750 Forum Drive, Suite 305 / Orlando, FL 32821 / (800) 755-6001
Missouri: 13723 Riverport Drive, Suite 200 / Maryland Heights, MO 63043 / (800) 326-4102

**TSC3.00 or TSC4.00 K-Web
Connector Fastener Areas**

Alpine, a division of ITW Building Components Group, Inc. shall not be responsible for any performance failure in a connection due to a deviation from this detail. Any variation from this detail shall be approved in advance by Alpine, a division of ITW Building Components Group, Inc.

Standard Detail:

TS016A

Date:

10/11/18

TrusSteel Detail Category:

Pitch Break Connections