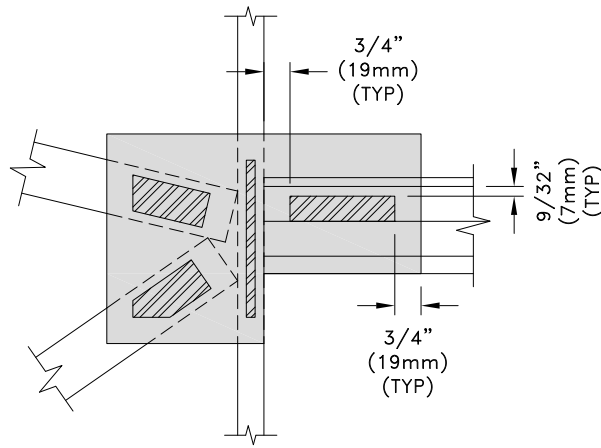
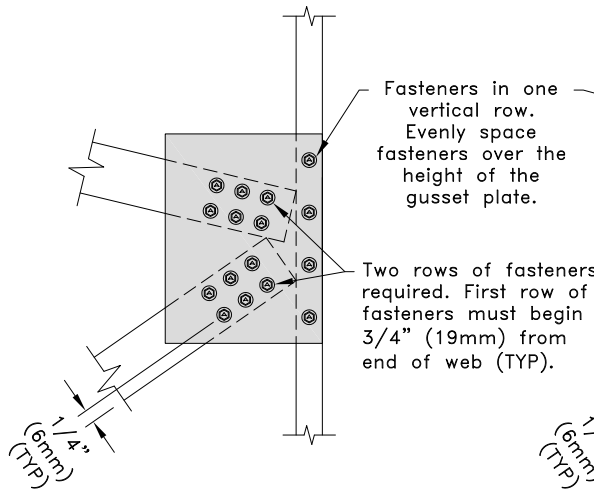


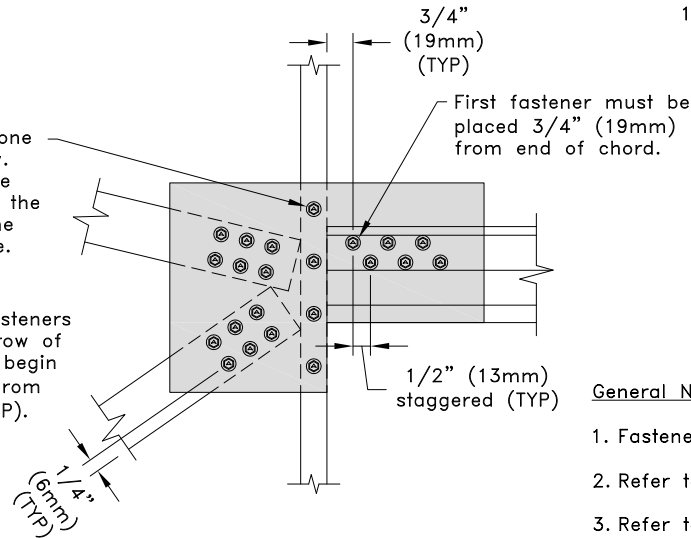
**K-Web Fastener Area  
Without Chord**



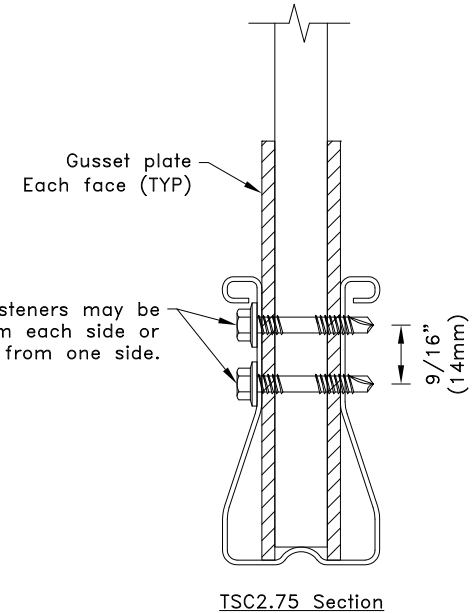
**K-Web Fastener Area  
With Chord**



**K-Web Fastener Locations  
Without Chord**



**K-Web Fastener Locations  
With Chord**



**TSC2.75 Section**

This line of fasteners may be 14AMS.75 from each side or 14AMDB1.25 from one side.

**General Notes:**

1. Fastener spacing and end distance is 3/4" (19mm) minimum except as shown.
2. Refer to approved truss drawing for gusset size, gauge and grade.
3. Refer to approved truss drawings for required fastener type and quantities for each member connected to gusset plate.
4. If K-Web diagonals are 3/4" (19mm) wide, one row of fasteners is adequate.
5. = Fastener contact area.



[www.TrusSteel.com](http://www.TrusSteel.com)

Florida: 6750 Forum Drive, Suite 305 / Orlando, FL 32821 / (800) 755-6001  
 Missouri: 13723 Riverport Drive, Suite 200 / Maryland Heights, MO 63043 / (800) 326-4102

**TSC2.75 Gusset Plate  
Fastener Placement**

Alpine, a division of ITW Building Components Group, Inc. shall not be responsible for any performance failure in a connection due to a deviation from this detail. Any variation from this detail shall be approved in advance by Alpine, a division of ITW Building Components Group, Inc.

**Standard Detail:**

TS004F

**Date:**

10/11/18

**TrusSteel Detail Category:**

Pitch Break Connections