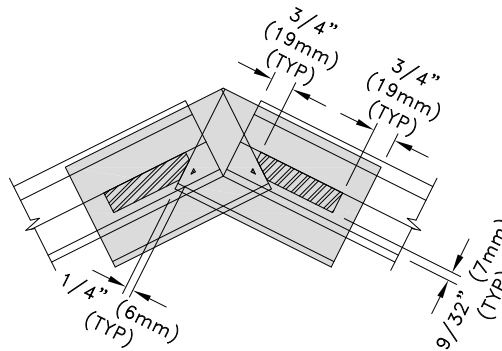
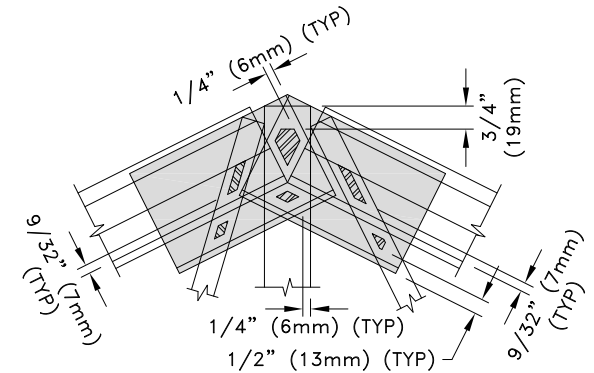


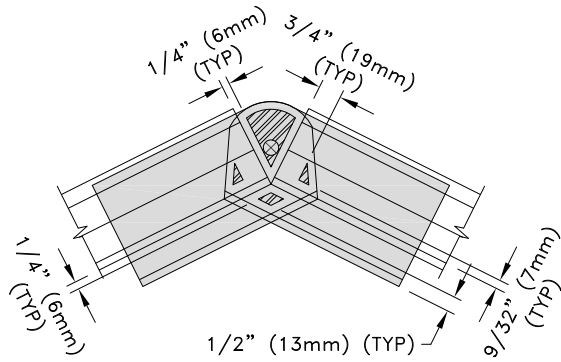
Fasteners Through The Lapped Area
33TSBUC3.5 or 43TSBUC3.5
Bent-U Pitch Break Connector



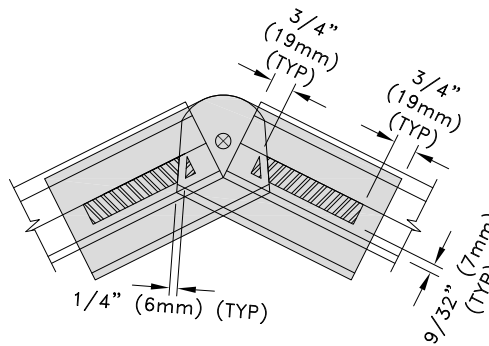
Fasteners Through The Chord Area
33TSBUC3.5 or 43TSBUC3.5
Bent-U Pitch Break Connector



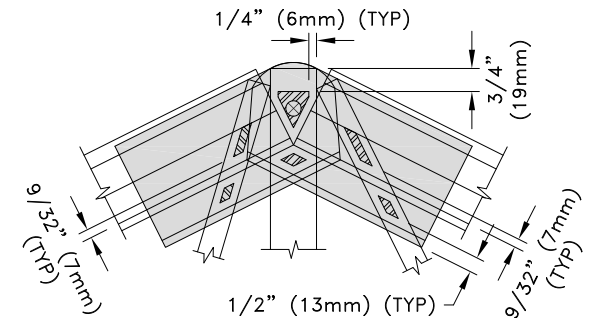
Fasteners Through The Web Area
33TSBUC3.5 or 43TSBUC3.5
Bent-U Pitch Break Connector



Fasteners Through The Lapped Area
33TSHC3.5K or 43TSHC3.5K
Hinged Pitch Break Connector




Fasteners Through The Chord Area
33TSHC3.5K or 43TSHC3.5K
Hinged Pitch Break Connector



Fasteners Through The Web Area
33TSHC3.5K or 43TSHC3.5K
Hinged Pitch Break Connector

General Notes:

1. Fastener spacing and end distance is 3/4" (19mm) minimum, except as shown.
2. Refer to approved truss drawings for required fastener type and quantities for each fastener contact area.
3. Fastener contact areas that coincide with other contact areas may use a common fastener for both areas. This will result in a reduction in the total number of fasteners required at the pitch break joint.
4.  = Fastener contact area.



www.TrusSteel.com

155 Harlem Ave., North Building, 4th Floor / Glenview, IL 60025 / (800) 755-6001

TSC2.75 Pitch Break Connector Fastener Contact Areas

Alpine, a division of ITW Building Components Group, Inc. shall not be responsible for any performance failure in a connection due to a deviation from this detail. Any variation from this detail shall be approved in advance by Alpine, a division of ITW Building Components Group, Inc.

Standard Detail:

TS004

Date:

06/01/22

TrusSteel Detail Category:

Pitch Break Connections