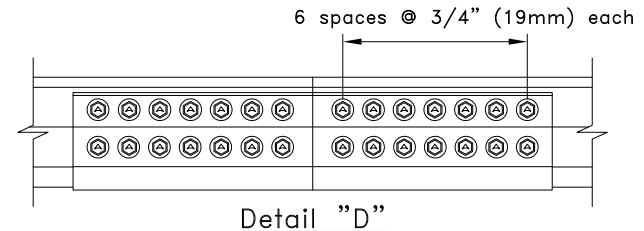
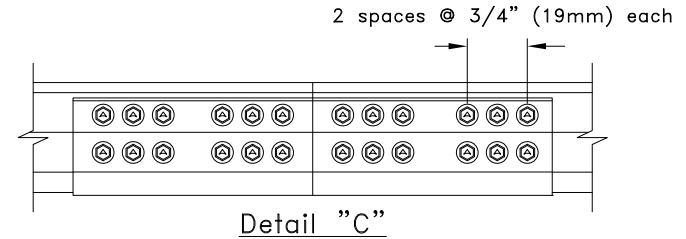
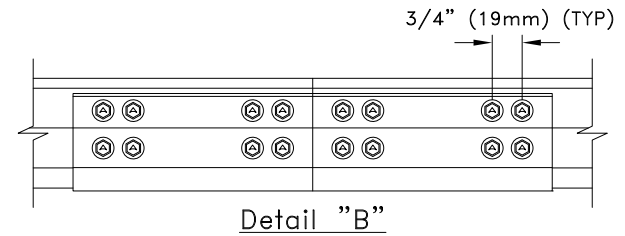
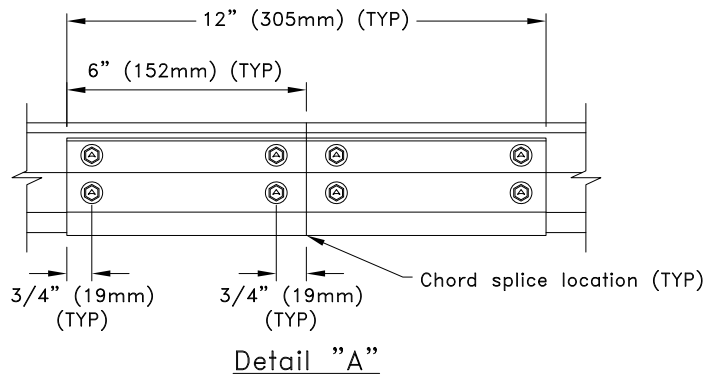


TSC2.75



General Notes:

1. SDS = Self-Drilling Tapping Screw.
2. Fastener spacing and end distance is 3/4" (19mm) minimum.
3. Fasteners may be #14SDS or 14AMDR1.5. Refer to approved truss drawings for fastener type and detail call out.
4. Dimensions are typical for both sides of splice per splice detail.



www.TrusSteel.com

155 Harlem Ave., North Building, 4th Floor / Glenview, IL 60025 / (800) 755-6001

TSC2.75 Splices Using The TS68UPS2 Universal Piece

Alpine, a division of ITW Building Components Group, Inc. shall not be responsible for any performance failure in a connection due to a deviation from this detail. Any variation from this detail shall be approved in advance by Alpine, a division of ITW Building Components Group, Inc.

Standard Detail:
TS002B

Date:
06/01/22

TrusSteel Detail Category:
Chord Splices