

$$R = R_1 + R_2$$

$$U = U_1 + U_2$$

Typical Supported Truss to Girder Connection

TTC Clip Sizes and Information

"A" Clips connect the supported truss to the girder truss
 "B" Clips are only required for 3-ply girders:

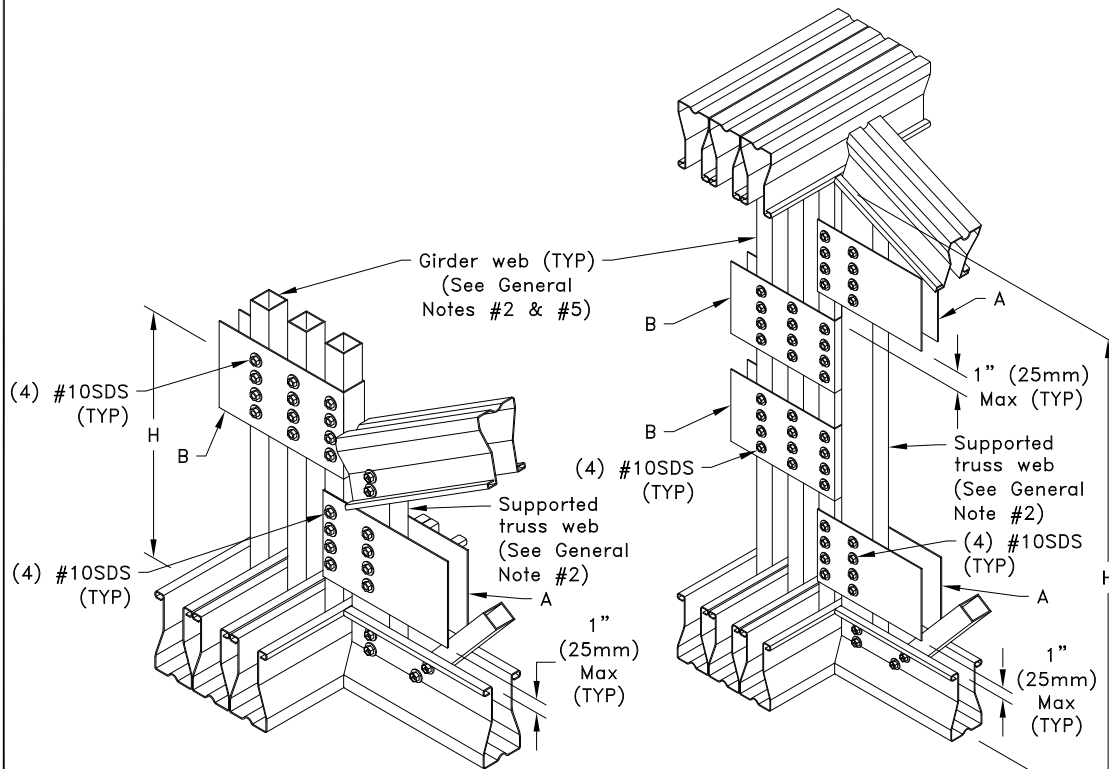
- "B" Clips connect the plies of a 3-ply girder truss together
- One "B" Clip is required for each "A" Clip used

TSC2.75	TSC3.00 or TSC4.00
A = TTC5	A = TTC7
B = TTC5	B = TTC7

Allowable Values

H_{min} in (mm) ^A		H_{max} in (mm) ^A	Number of "A" Clips	R = U lbs (kN) ^A
TSC2.75	TSC3.00 TSC4.00			
9-1/2 (241)	12 (305)	48 (1219)	1	1730 (7.70)
19 (483)	24 (610)	no max limit	2	2470 (10.99)

A. R = Allowable Reaction, U = Allowable Uplift and H = Heel height of supported truss.



Truss To 3-Ply Supporting Truss Using 1 TTC Clip

Truss To 3-Ply Supporting Truss Using 2 TTC Clips

(1 "B" Clip is required for each "A" clip used)

General Notes:

- The top and bottom chords of all trusses shall be properly connected to structural sheathing or purlins, designed by others.
- If supported truss or girder web is a Z-web, refer to TS068 for connection areas.
- SDS = Self-Drilling Tapping Screw. Screw spacing, edge distance and end distance is 9/16" (14mm) minimum.
- The supported truss must be designed utilizing a clip bearing type. For 2 clip connections, place clips within 1" (25mm) of top and bottom chords as shown. For 1 clip connections, place clip within 1" (25mm) of bottom chord or as analyzed.
- This detail is to be used when girder web and supported web are the same width. Girder web shall not be a C-Web.
- Cold-Formed Steel calculations are per the 2020 supplement to AISI 1616 "North American Specification for the Design of Cold-Formed Steel Structural Members" (S100-16/S2-20).



www.TrusSteel.com

155 Harlem Ave., North Building, 4th Floor / Glenview, IL 60025 / (800) 755-6001

Truss-To-Truss Connection Using TTC Clips (3 Ply Girder)

Alpine, a division of ITW Building Components Group, Inc. shall not be responsible for any performance failure in a connection due to a deviation from this detail. Any variation from this detail shall be approved in advance by Alpine, a division of ITW Building Components Group, Inc.

Standard Detail:

TS001C

Date:

06/01/22

TrusSteel Detail Category:

Truss-To-Truss Connections