

$$R = R_1 + R_2$$

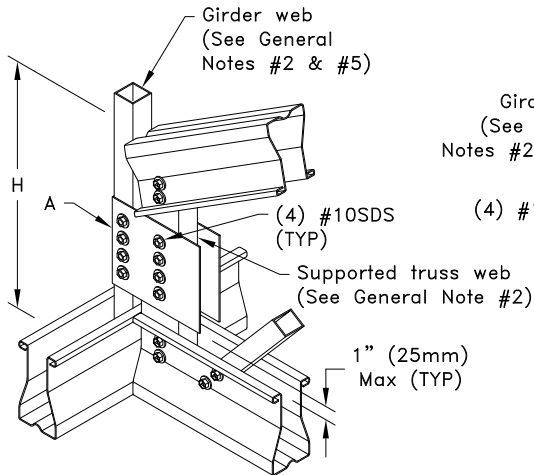
$$U = U_1 + U_2$$

Typical Supported Truss to Girder Connection

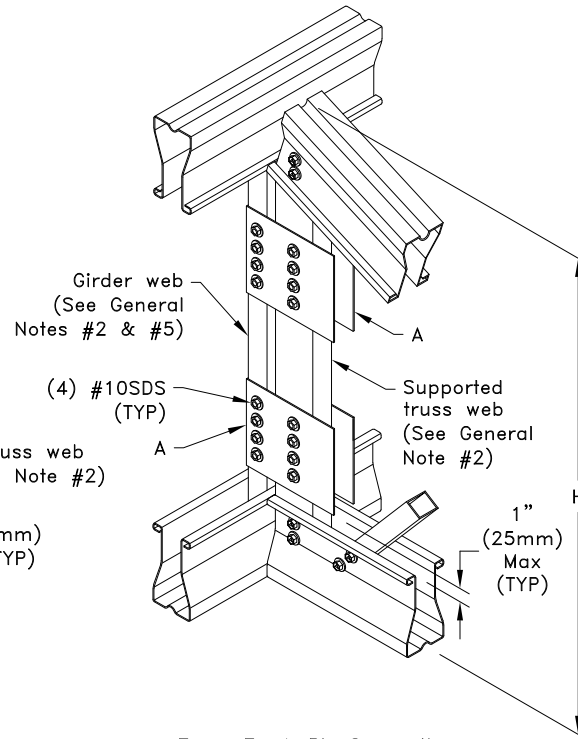
TTC Clip Sizes and Information	
"A" Clips connect the supported truss to the girder truss.	
TSC2.75	TSC3.00 or TSC4.00
A = TTC5	A = TTC7

Allowable Values				
$H_{min}$ in (mm) <sup>A</sup>		$H_{max}$ in (mm) <sup>A</sup>	Number of "A" Clips	R = U lbs (kN) <sup>A</sup>
TSC2.75	TSC3.00 TSC4.00			
9-1/2 (241)	12 (305)	48 (1219)	1	1730 (7.70)
19 (483)	24 (610)	no max limit	2	2470 (10.99)

A. R = Allowable Reaction, U = Allowable Uplift and H = Heel height of supported truss.



Truss To 1-Ply Supporting Truss Using 1 TTC Clip



Truss To 1-Ply Supporting Truss Using 2 TTC Clips

**General Notes:**

1. The top and bottom chords of all trusses shall be properly connected to structural sheathing or purlins, designed by others.
2. If supported truss or girder web is a Z-web, refer to TS068 for connection areas.
3. SDS = Self-Drilling Tapping Screw. Screw spacing, edge distance and end distance is 9/16" (14mm) minimum.
4. The supported truss must be designed utilizing a clip bearing type. For 2 clip connections, place clips within 1" (25mm) of top and bottom chords as shown. For 1 clip connections, place clip within 1" (25mm) of bottom chord or as analyzed.
5. This detail is to be used when girder web and supported web are the same width. Girder web shall not be a C-Web.
6. Cold-Formed Steel calculations are per the 2020 supplement to AISI 1616 "North American Specification for the Design of Cold-Formed Steel Structural Members" (S100-16/S2-20).



www.TrusSteel.com

155 Harlem Ave., North Building, 4th Floor / Glenview, IL 60025 / (800) 755-6001

**Truss-To-Truss Connection**  
Using TTC Clips (1 Ply Girder)

Alpine, a division of ITW Building Components Group, Inc. shall not be responsible for any performance failure in a connection due to a deviation from this detail. Any variation from this detail shall be approved in advance by Alpine, a division of ITW Building Components Group, Inc.

**Standard Detail:**  
TS001A

**Date:**  
06/01/22

**TrusSteel Detail Category:**  
Truss-To-Truss Connections