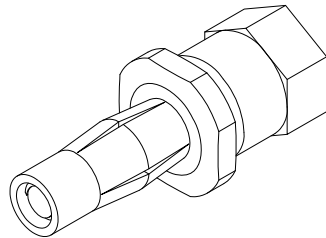
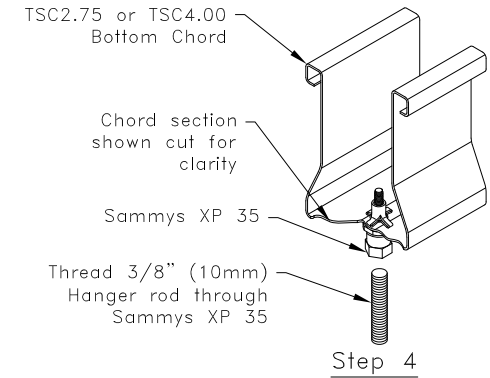
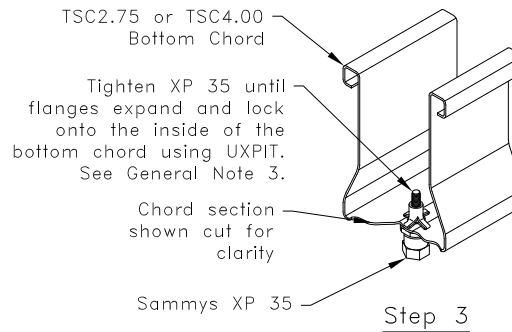
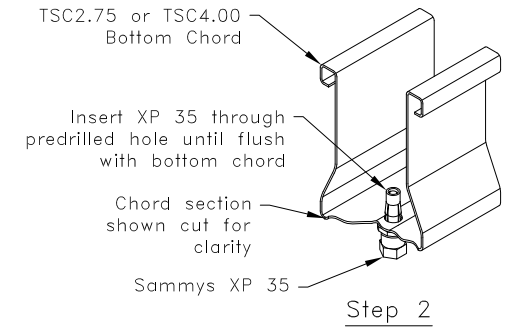
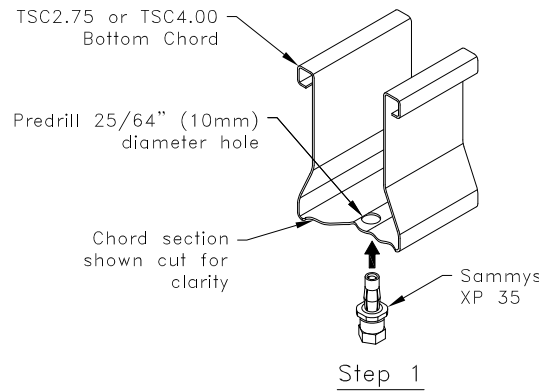


SPRINKLER PIPE DIAMETERS AND HANGER LOADS^A

Bottom Chord	Max. Sprinkler Pipe Diameter, in. (mm)	Max. Hanger Load per UL 203, lb (kN)
28TSC2.75	2-1/2 (64)	850 (3.78)
33TSC2.75	3 (76)	1050 (4.67)
43TSC2.75	2-1/2 (64)	850 (3.78)
28TSC4.00	2 (51)	750 (3.34)
33TSC4.00	3 (76)	1050 (4.67)
43TSC4.00	2-1/2 (64)	850 (3.78)
54TSC4.00	3-1/2 (89)	1250 (5.56)
68TSC4.00	4 (102)	1500 (6.67)
97TSC4.00	4 (102)	1500 (6.67)

(A) Values given are for maximum hanger spacing of 15' (4572mm)



Sammys X-Press 35
(XP 35)

General Notes:

1. Values shown are for the sprinkler pipe hanger only. Truss must be properly loaded for sprinkler pipe load. Refer to TrusSteel Technical Bulletin TB00.09.01, "Sprinkler Pipes – Truss Loading & Connections".
2. It is the responsibility of the Building Designer to verify that the hanger design given in this detail conforms with the overall sprinkler system support design.
3. Installation of XP 35 requires Universal X-Press It Tool (UXPIT). Refer to "ITW Buildex – Suspended Anchoring Systems" product catalog for installation guidance of Sammys XP 35. Refer to TB07.09.20, "Attachment of Mechanical Systems to TrusSteel Trusses" for acceptable location of hole.
4. Hanger loads were determined from the UL 203 document titled "Standard For Pipe Hanger Equipment For Fire Protection Service", and assume Schedule 40 steel pipe.
5. Pipe hanger spacing shall not exceed 12 ft (3658mm) for pipes up to and including 1-1/4 in. (32mm) diameter and 15 ft (4572mm) for pipes greater than 1-1/4 in. (32mm) diameter per NFPA 13 "Standard For The installation of Sprinkler Systems".

TrusSteel[®]

www.TrusSteel.com

Florida: 1950 Marley Drive / Haines City, FL 33844 / (800) 755-6001
Missouri: 13389 Lakefront Drive / Earth City, MO 63045 / (800) 326-4102

Bottom Chord Sprinkler Pipe Hanger
for 4" (102mm) Max. Diameter Pipe
Using Sammys X-Press 35 (XP 35)

ITW Building Components Group, Inc. shall not be responsible for any performance failure in a connection due to a deviation from this detail. Any variation from this detail shall be approved in advance by ITW Building Components Group, Inc.

Standard Detail:
TS049L

Date:
07/16/12

TrusSteel Detail Category:
Sprinkler Pipe Hangers