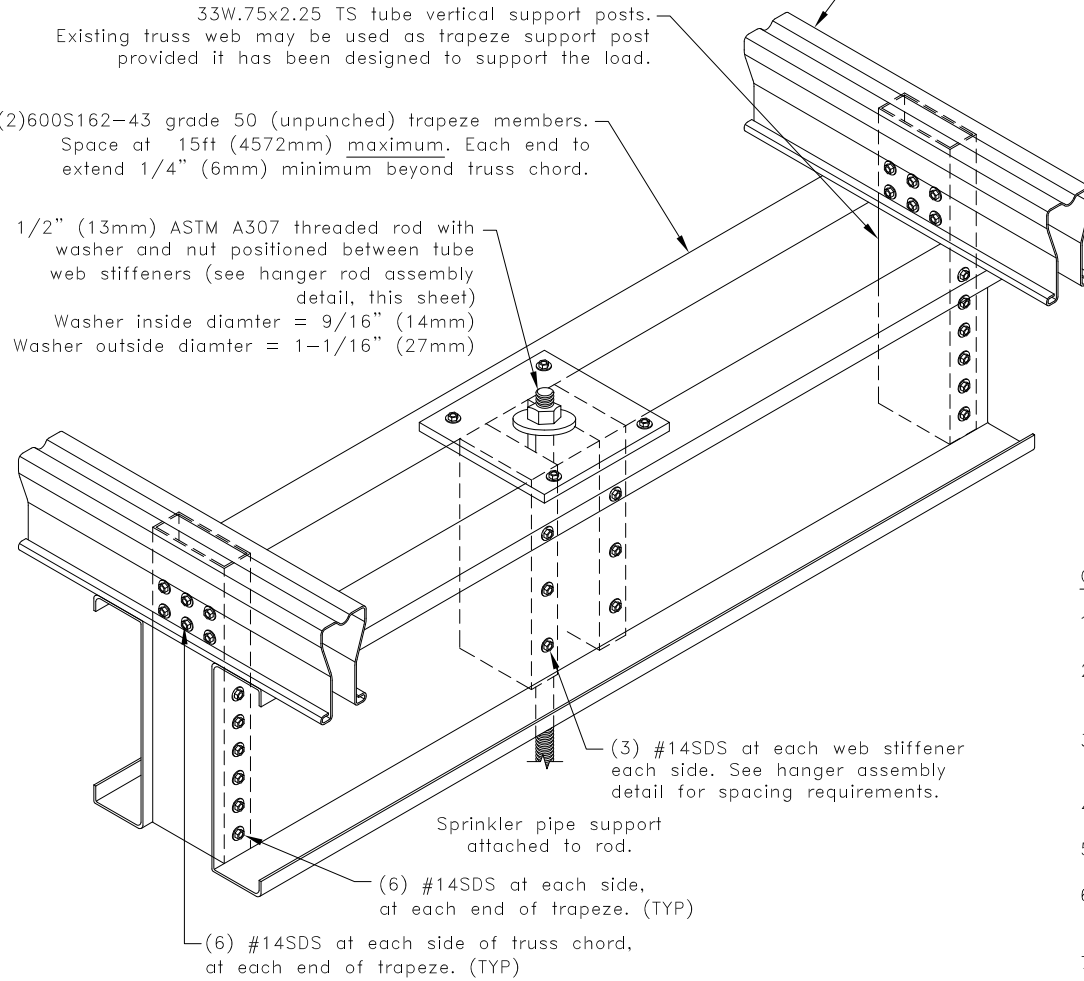
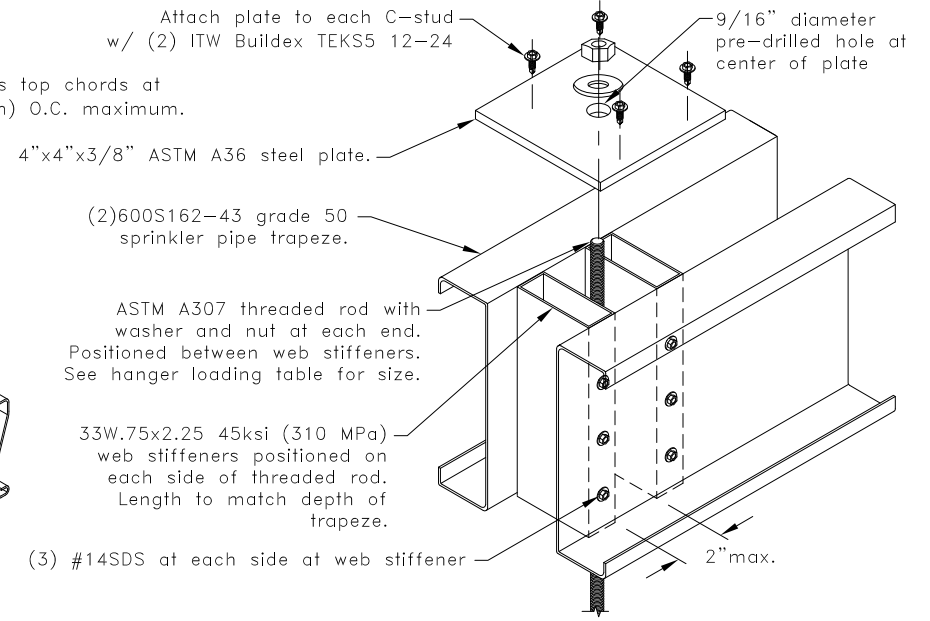


Sprinkler Pipe Diameter & Hanger Load	
Sprinkler Pipe Diameter in. (mm)	Maximum Hanger Load lbs. (kN) <sup>B</sup>
6 (152)	2630 (11.70)

(B) Values given are based on 15' (4572mm) maximum hanger spacing.



Note: Hanger rod assembly may be placed anywhere along the trapeze.



**Hanger Rod Assembly Detail**  
Note: Multiply above units by 25.4 for millimeters.

General Notes:

1. SDS = self-drilling tapping screw. Screw spacing, end and edge distance is 3/4" (19mm) min.
2. The minimum yield strengths of materials are as follows (unless otherwise noted): C-Stud Trapeze = 50ksi (345 MPa), Tube steel support posts = 45ksi (310 MPa), TrusSteel Chords = 55ksi (379 MPa).
3. Values shown are for the sprinkler pipe hanger only. Truss must be properly loaded for sprinkler pipe load. Refer to TrusSteel Technical Bulletin TB00.09.01, "Sprinkler Pipes - Truss Loading & Connections".
4. It is the responsibility of the architect or engineer of record to review this hanger design to verify it conforms with the overall sprinkler system support design.
5. Hanger loads were determined per NFPA13 "Standard For The Installation Of Sprinkler Systems" and assume schedule 40 steel pipe.
6. Pipe hanger spacing shall not exceed 12' (3658mm) for pipes up to and including 1-1/4" (32mm) diameter and 15' (4572mm) for pipes greater than 1-1/4" (32mm) diameter per NFPA13 1999.
7. Nut shall be grade A, HEX conforming to ASTM A563 and Washer shall conform to ASTM F436.
8. Cold-Formed Steel Calculations are per the 2010 supplement to the AISI 2007 "North American Specifications for the Design of Cold-Formed Steel Structural Members" (S100-07/S2-10).



**Double C-Stud Sprinkler Trapeze at TSC2.75 Top Chord for 6" (152mm) Max. Diameter Pipe**

ITW Building Components Group, Inc. shall not be responsible for any performance failure in a connection due to a deviation from this detail. Any variation from this detail shall be approved in advance by ITW Building Components Group, Inc.

**Standard Detail:**  
TS049J  
**Date:**  
07/16/12

**TrusSteel Detail Category:**  
Top Chord Sprinkler Hanger

Florida: 1950 Marley Drive / Haines City, FL 33844 / (800) 755-6001  
Missouri: 13389 Lakefront Drive / Earth City, MO 63045 / (800) 326-4102