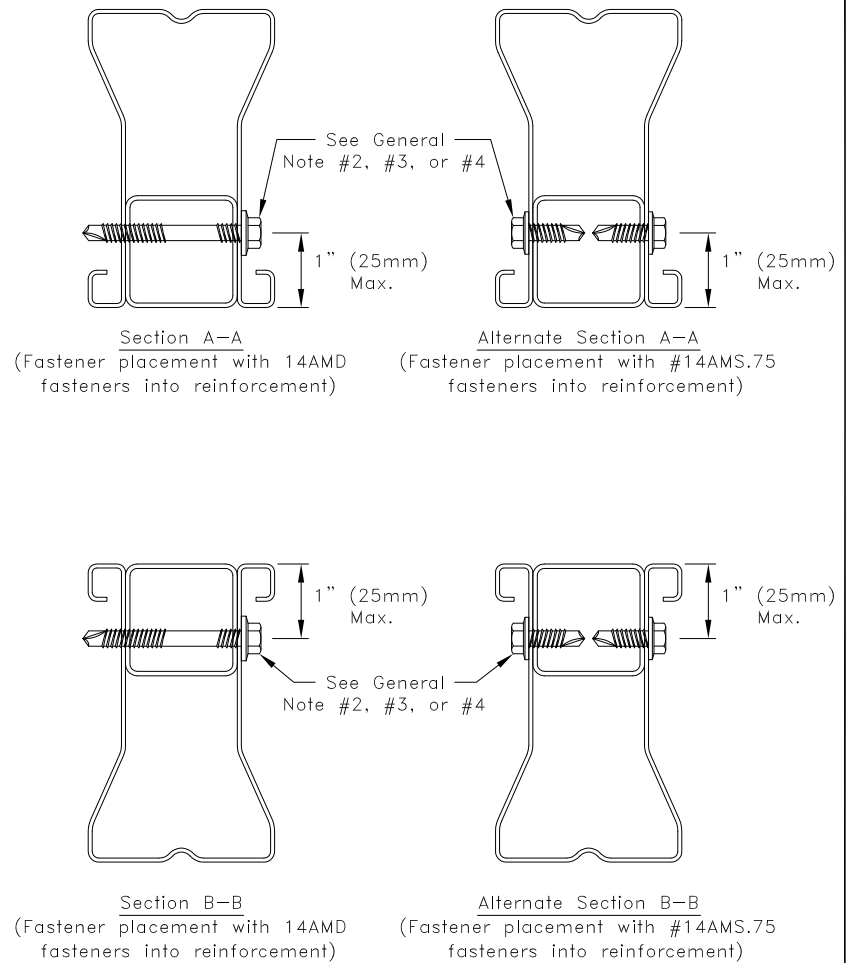


Detail A
Chord Reinforcement Fastener Placement



General Note:

1. TrusSteel Chord reinforcement for TSC2.75 is 33W.75X1.5 and for TSC3.00 and TSC4.00 is 33W1.5X1.5
2. TSC2.75 fastener selection must be one of the following: #14AMDB1.25, or #14AMS.75
3. For 28TSC3.00, 33TSC3.00, 43TSC3.00, 54TSC3.00, 28TSC4.00, 33TSC4.00, 43TSC4.00, and 54TSC4.00, fastener selection must be one of the following: #14AMDB2.125, or #14AMS.75
4. For 68TSC4.00 and 97TSC4.00, fastener selection must be #14AMDR2.375 or #14AMS.75
5. Noted as "RC" on approved truss drawing.

TrusSteel[®]

www.TrusSteel.com

Florida: 1950 Marley Drive / Haines City, FL 33844 / (800) 755-6001
Missouri: 13389 Lakefront Drive / Earth City, MO 63045 / (800) 326-4102

Chord Reinforcement

ITW Building Components Group, Inc. shall not be responsible for any performance failure in a connection due to a deviation from this detail. Any variation from this detail shall be approved in advance by ITW Building Components Group, Inc.

Standard Detail:
TS046A

Date:
07/16/12

TrusSteel Detail Category:
Bracing / Reinforcement