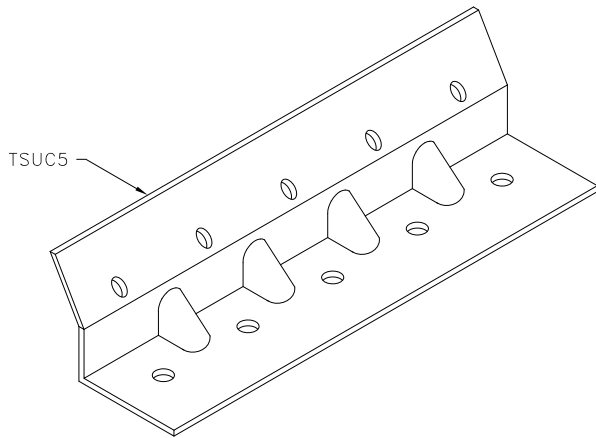
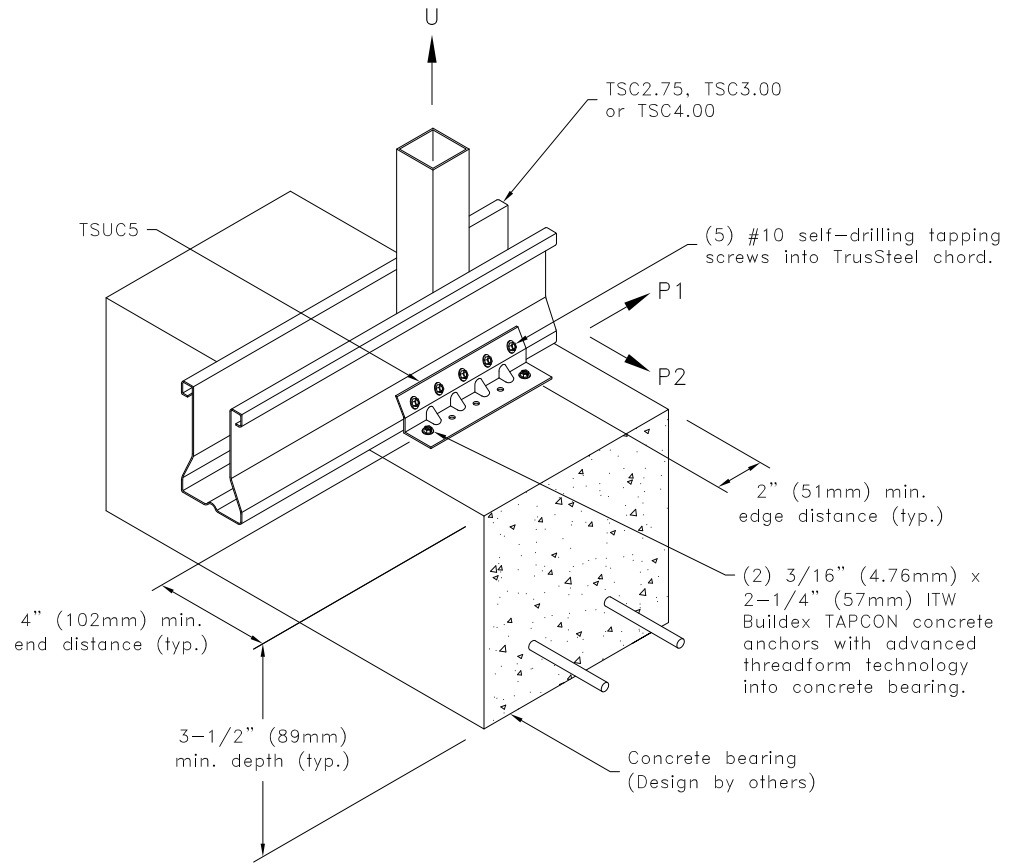


Allowable U lbs (kN) ^{A,B,C,D}				
Concrete Strength f'c, psi (MPa)	TSC2.75		TSC3.00 or TSC4.00	
	Clip on one face ^E	Clip on both faces	Clip on one face ^E	Clip on both faces
2500 (17.24)	400 (1.78)	520 (2.31)	440 (1.96)	1040 (4.63)
3000 (20.68)	400 (1.78)	570 (2.54)	480 (2.14)	1140 (5.07)
4000 (27.58)	400 (1.78)	660 (2.94)	550 (2.45)	1320 (5.87)
5000 (34.47)	400 (1.78)	740 (3.29)	620 (2.76)	1480 (6.58)
Allowable P1 & P2 lbs (kN) ^{A,B,C,D}				
Chord	P1		P2	
	Clip on one face ^E	Clip on both faces	Clip on one face ^E	Clip on both faces
TSC2.75	430 (1.91)	580 (2.58)	430 (1.91)	580 (2.58)
TSC3.00 or TSC4.00	430 (1.91)	680 (3.02)	430 (1.91)	670 (2.98)

- A. Allowable loads shown on this detail are not in combination.
 B. Special inspection is required. Refer to ICC ESR-2202 (May 1, 2009) regarding proper installation of anchors and requirements for special inspection.
 C. Per ICC ESR-2202 (May 1, 2009), the design values given above are for uncracked concrete only.
 D. Allowable loads outlined are based on the assumption that 70% of the applied load is live load and 30% is dead load.
 E. Uplift connections with clip on one face require web above connection.



General Notes:

1. This detail shall not be used to resist seismic loads.
2. Attachment of second clip on opposite face of chord is identical to what is detailed.
3. Fill outside holes of TSUC5 clip with TAPCON concrete anchors as shown.
4. Concrete anchor is not to be installed until concrete has reached the specified design strength.
5. Design of tapcons are per ICC ESR-2202 (May 1, 2009).
6. Cold-Formed Steel Calculations are per the 2010 supplement to the AISI 2007 "North American Specifications for the Design of Cold-Formed Steel Structural Members" (S100-07/S2-10).

TrusSteel[®]

www.TrusSteel.com

**TSUC5 Uplift Attachment
To Concrete Bearing**

ITW Building Components Group, Inc. shall not be responsible for any performance failure in a connection due to a deviation from this detail. Any variation from this detail shall be approved in advance by ITW Building Components Group, Inc.

Standard Detail:

TS031

Date:

07/16/12

TrusSteel Detail Category:

Truss-To-Bearing: Concrete

Florida: 1950 Marley Drive / Haines City, FL 33844 / (800) 755-6001
 Missouri: 13389 Lakefront Drive / Earth City, MO 63045 / (800) 326-4102