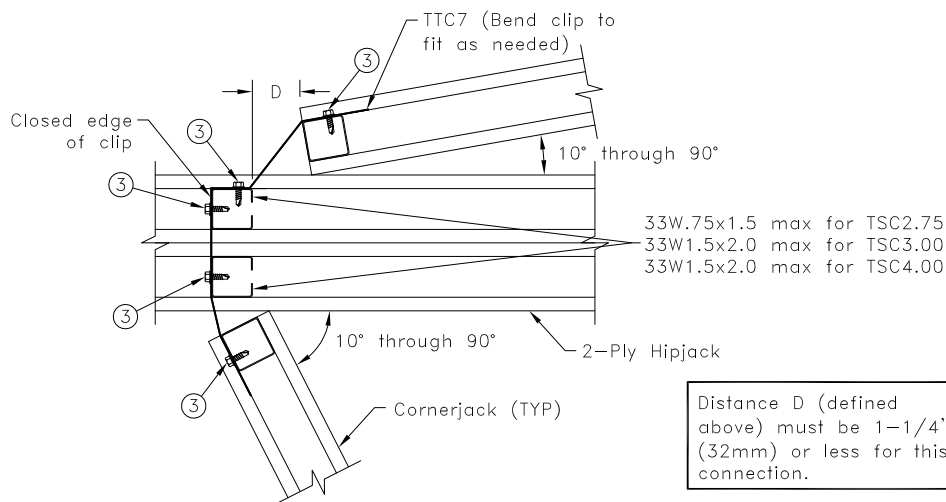


45° 2-ply Hipjack Connection

(See TS025 for placement of hipjack vertical web)



Non 45° 2-ply Hipjack Connection

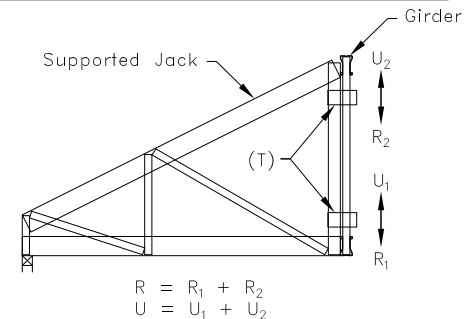
(See TS025A for placement of hipjack vertical web)

Allowable Values

Supported Jack Type	Number of Clips	R = U lbs (kN)
Cornerjack	1 ^A	500 (2.22)
Cornerjack	2	1000 (4.44)

A. (1) Clip may be used when supported truss height is less than 48" (1219mm).

(T) = TTC; for 2 clip connection, place within 1" (25mm) of top and bottom as shown below. For 1 clip connection, place within 1" (25mm) of bottom chord, or as analyzed. Bend clip to fit.



Typical Jack To Girder Connection

General Notes:

1. The top and bottom chords of all trusses shall be properly connected to structural sheathing or purlins.
2. If supported truss or girder web is a Z-web, refer to TS068 for connection areas.
3. All edge distances, end distances, and spacing are 9/16" (14mm) minimum.
4. Circled numbers represent quantity of #10 self-drilling tapping screws per clip.
5. Truss must be analyzed with concentrated loads directly in line with correctly placed girder vertical webs. TS025 and TS025A give correct web placement information.
7. If girder web is a C-Web, screws shall not be applied to open face. Position girder webs as shown in details.
8. Cold-Formed Steel Calculations are per the 2010 supplement to the AISI 2007 "North American Specifications for the Design of Cold-Formed Steel Structural Members" (S100-07/S2-10).

TrusSteel[®]

www.TrusSteel.com

Florida: 1950 Marley Drive / Haines City, FL 33844 / (800) 755-6001
Missouri: 13389 Lakefront Drive / Earth City, MO 63045 / (800) 326-4102

2-Ply Hipjack Connections

ITW Building Components Group, Inc. shall not be responsible for any performance failure in a connection due to a deviation from this detail. Any variation from this detail shall be approved in advance by ITW Building Components Group, Inc.

Standard Detail:
TS025E

Date:
07/16/12

TrusSteel Detail Category:
Truss-to-Truss Connections