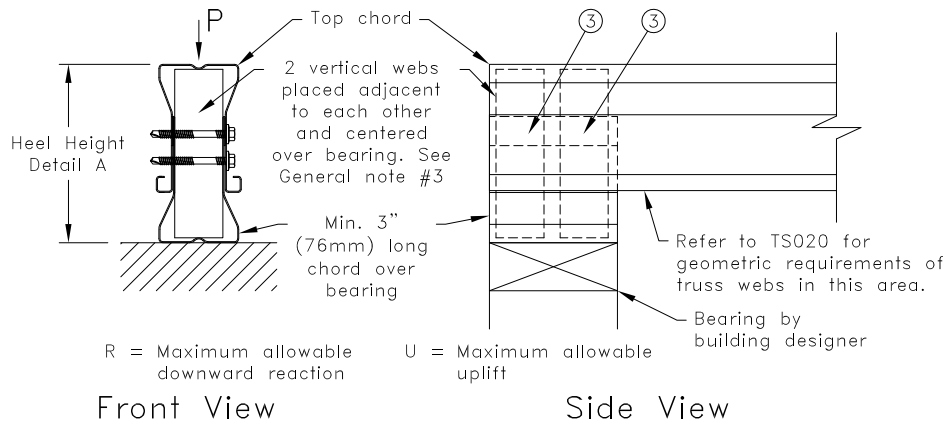


### Detail A – Swaged or Cut Bottom Chord



### Allowable Loads

Chord	P lbs. (kN)	R lbs. (kN)
28TSC2.75	2510 (11.17)	3530 (15.70)
33TSC2.75	2770 (12.32)	3530 (15.70)
43TSC2.75	3530 (15.70)	3530 (15.70)
28TSC3.00 or 28TSC4.00	3730 (16.59)	3730 (16.59)
33TSC3.00 or 33TSC4.00	4140 (18.42)	4420 (19.66)
43TSC3.00 or 43TSC4.00	4140 (18.42)	4540 (20.19)
54TSC3.00 or 54TSC4.00	4540 (20.19)	4540 (20.19)
68TSC4.00	4540 (20.19)	4540 (20.19)
97TSC4.00	4540 (20.19)	4540 (20.19)

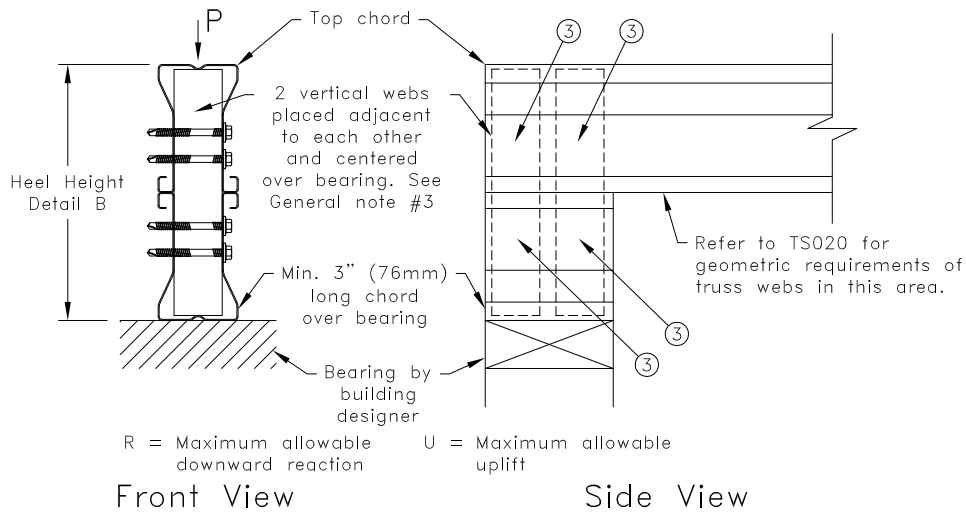
**If uplift is present, refer to TrusSteel Standard Details for connection to bearing and allowable uplift values. However, allowable uplift values cannot exceed R given in the Allowable Loads Table above.**

**P = Maximum allowable concentrated load on truss over bearing.  
R = Maximum allowable downward reaction including any load applied over the bearing.  
U = Maximum allowable uplift.**

#### General Notes:

- Top chord over the bearing shall be reinforced by two webs placed vertically inside it as shown in Details A and B.
- Circled numbers refer to the number of 14AMDB1.25 fasteners for TSC2.75 or 14AMDB2.125 fasteners for TSC3.00 or TSC4.00.
- Circled numbers refer to the number of 14AMD fasteners required:  
For Detail A: Use 14AMDR1.50 fasteners for TSC2.75 chords or 14AMDR2.375 fasteners for TSC3.00 or TSC4.00 chords.  
For Detail B: For 28TSC, 33TSC, 43TSC and 54TSC chords, use 14AMDB1.25 fasteners for TSC2.75 or 14AMDB2.125 fasteners for TSC3.00 or TSC4.00. For 68TSC4.00 and 97TSC4.00 chords, use 14AMDR2.375 fasteners.
- For Detail A and Detail B, the two vertical webs shall be 33W.75X1.5 for TSC2.75 and 33W1.5X1.5 or 33Z1.5X1.62 for TSC3.00 or TSC4.00.
- For multi-story construction, total vertical deflection of the walls must be considered carefully by the Building Designer. The maximum vertical deflections for the connections shown are 1/8" (3.2mm) at the top and bottom chord when the maximum load "P" is applied. If this deflection is not acceptable, load transfer blocking or other methods must be provided by the Building Designer to transfer vertical load directly down to the bearing.
- Cold-Formed Steel Calculations are per the 2010 supplement to the AISI 2007 "North American Specifications for the Design of Cold-Formed Steel Structural Members" (S100-07/S2-10).

### Detail B – Top Chord and Bottom Chord Flush



Heel Height in. (mm)	TSC2.75	TSC3.00	TSC4.00	TSC3.00 Top TSC4.00 Bottom	TSC4.00 Top TSC3.00 Bottom
Detail A	4-1/4"	4-1/2"	5-1/2"	4-1/2"	5-1/2"
Detail B	5-1/2"	6"	8"	7"	7"

1 in. = 25.4mm

# TrusSteel®

www.TrusSteel.com

Florida: 1950 Marley Drive / Haines City, FL 33844 / (800) 755-6001  
Missouri: 13389 Lakefront Drive / Earth City, MO 63045 / (800) 326-4102

## Top Chord Bearing Conditions with Bottom Chord Seat

ITW Building Components Group, Inc. shall not be responsible for any performance failure in a connection due to a deviation from this detail. Any variation from this detail shall be approved in advance by ITW Building Components Group, Inc.

**Standard Detail:**  
TS020A

**Date:**  
07/16/12

**TrusSteel Detail Category:**  
Top Chord Bearing