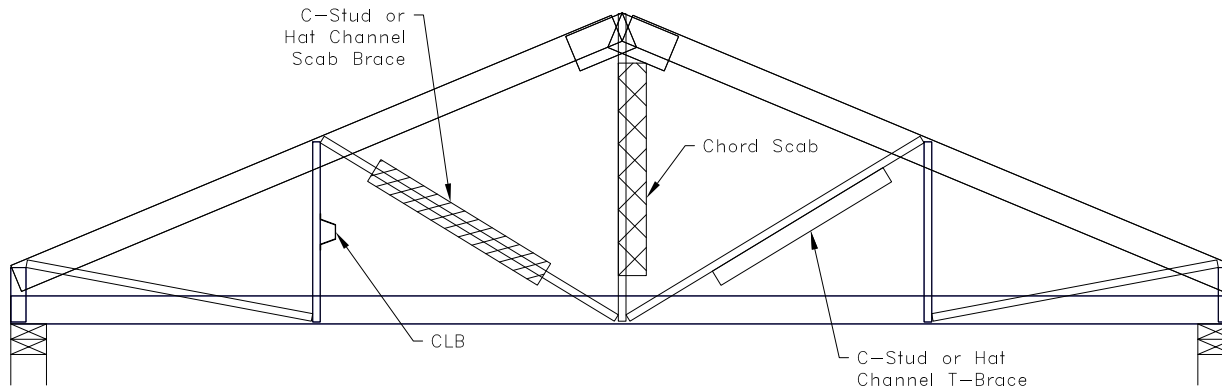
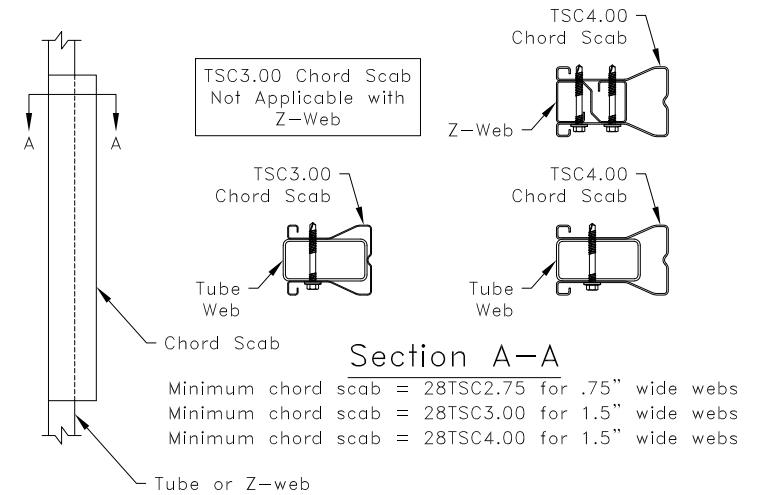


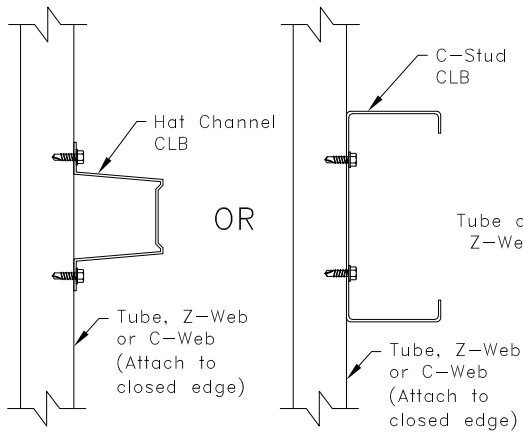
Different Types of Web Bracing Shown on TrusSteel Drawings



Chord Scab



Continuous Lateral Brace (CLB)

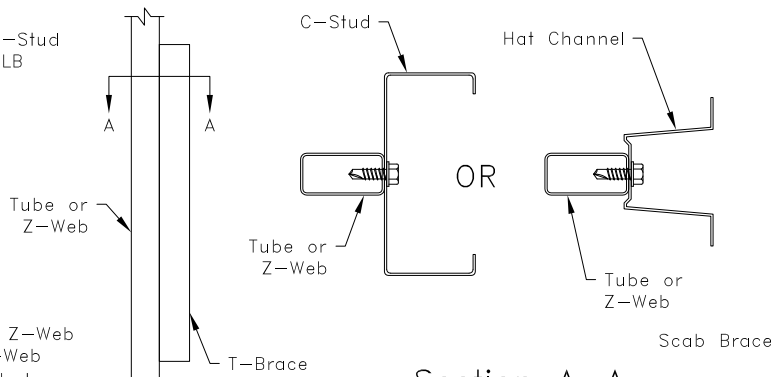


Minimum CLB = 150F125-33 or 250S162-33

Refer to TS015 for General Guidelines for Temporary and Permanent Truss Bracing.

Refer to TS017 for General Guidelines for Web CLB Restraint.

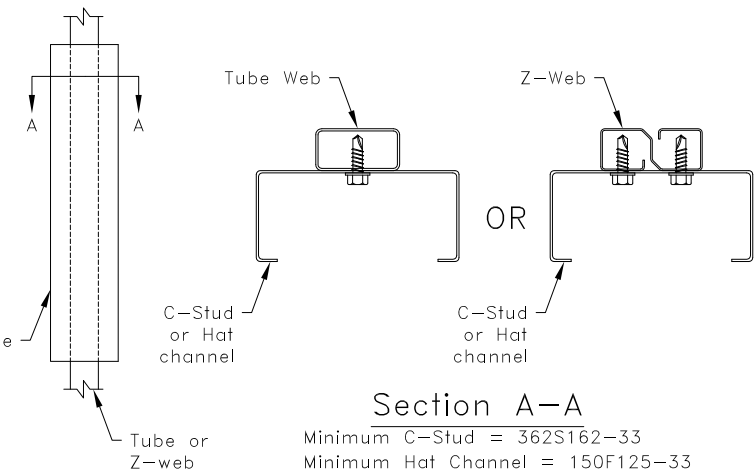
C-Stud or Hat Channel T-Brace



Section A-A

Minimum C-Stud = 362S162-33
 Minimum Hat Channel = 150F125-33

C-Stud or Hat Channel Scab Brace



Minimum C-Stud = 362S162-33
 Minimum Hat Channel = 150F125-33

NOTICE

The details on this page are generic installation guides only. See approved truss drawings for specific brace material, size and connection requirements. Web bracing called out on the approved truss drawings shall NOT be substituted for a different brace type unless approved by a TrusSteel engineer.

TrusSteel®

www.TrusSteel.com

General Web Reinforcement Guidelines

ITW Building Components Group, Inc. shall not be responsible for any performance failure in a connection due to a deviation from this detail. Any variation from this detail shall be approved in advance by ITW Building Components Group, Inc.

Standard Detail:

TS019

Date:

07/16/12

TrusSteel Detail Category:

Bracing / Reinforcement

Florida: 1950 Marley Drive / Haines City, FL 33844 / (800) 755-6001
 Missouri: 13389 Lakefront Drive / Earth City, MO 63045 / (800) 326-4102