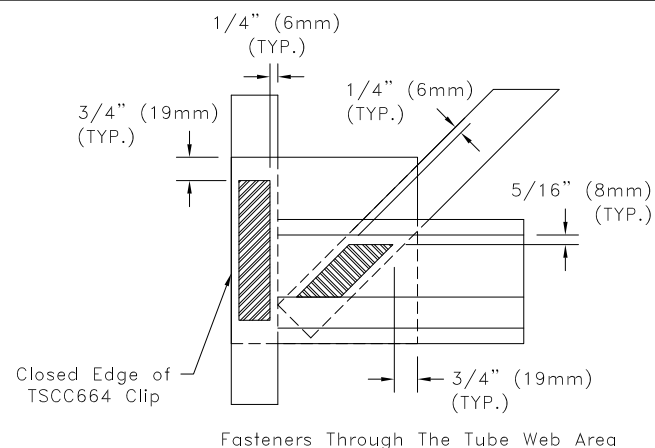
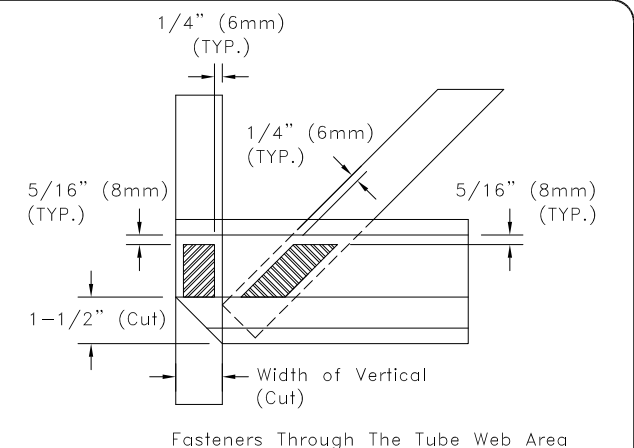


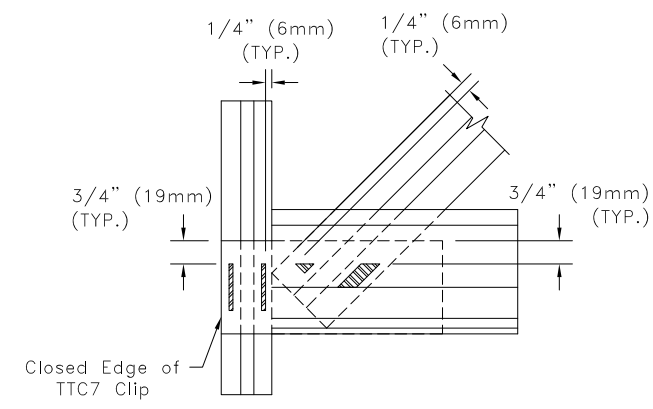
Fasteners Through The Tube Web Area  
TTC7 Clip



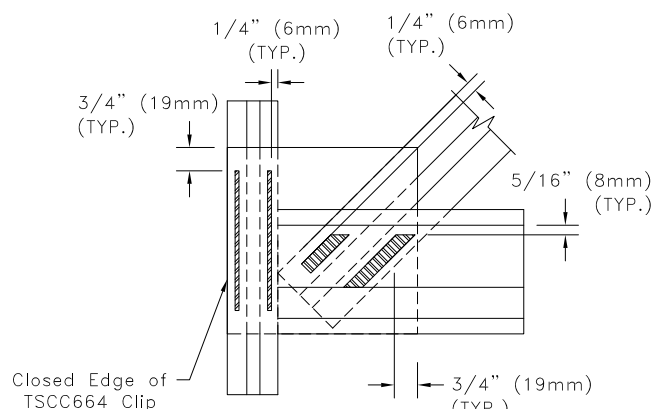
Fasteners Through The Tube Web Area  
TSCC664 Clip



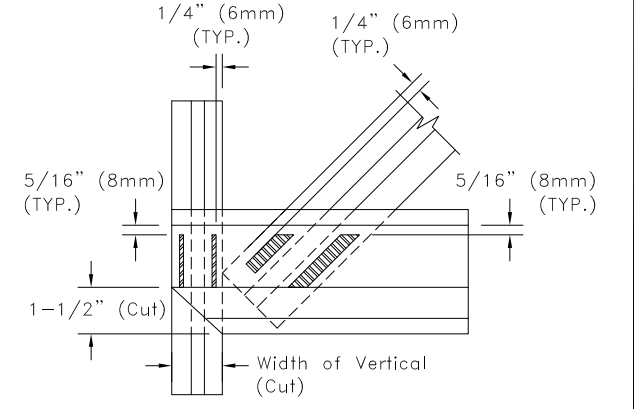
Fasteners Through The Tube Web Area  
Coped Chord



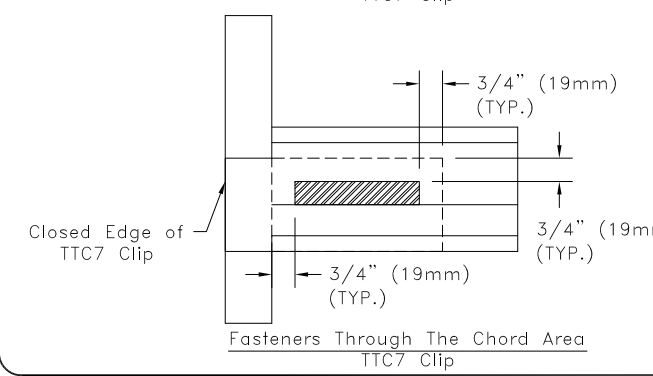
Fasteners Through The Z-Web Area  
TTC7 Clip



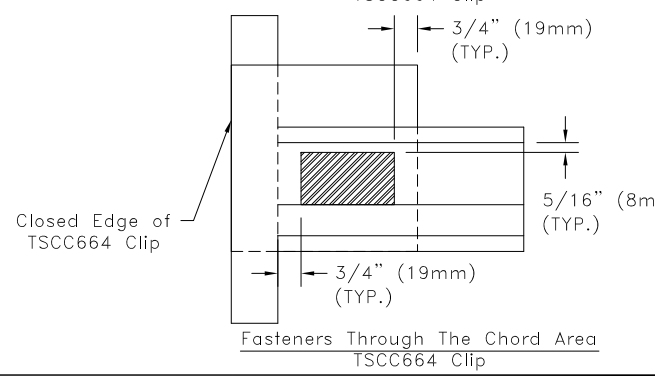
Fasteners Through The Z-Web Area  
TSCC664 Clip



Fasteners Through The Z-Web Area  
Coped Chord



Fasteners Through The Chord Area  
TTC7 Clip



Fasteners Through The Chord Area  
TSCC664 Clip

- General Notes:**
1. Fastener spacing and end distance is 3/4" (19mm) minimum, except as shown.
  2. Refer to approved truss drawings for required fastener type and quantities for each fastener contact area.
  3. Fastener contact areas that coincide with other contact areas may use a common fastener for both areas. This will result in a reduction in the total number of fasteners required at the pitch break joint.
  4. = Fastener contact area.
  5. Dashed lines indicate portion of web or clip that is inside clip or chord, respectively.

**TrusSteel**<sup>®</sup>  
www.TrusSteel.com

**TSC3.00 or TSC4.00 Clipped  
and Coped Connections  
Connector Fastener Areas**

Florida: 1950 Marley Drive / Haines City, FL 33844 / (800) 755-6001  
Missouri: 13389 Lakefront Drive / Earth City, MO 63045 / (800) 326-4102

ITW Building Components Group, Inc. shall not be responsible for any performance failure in a connection due to a deviation from this detail. Any variation from this detail shall be approved in advance by ITW Building Components Group, Inc.

**Standard Detail:**  
TS016E  
**Date:**  
07/16/12

**TrusSteel Detail Category:**  
Pitch Break Connections