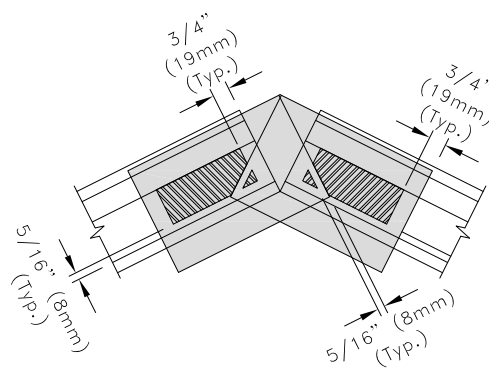
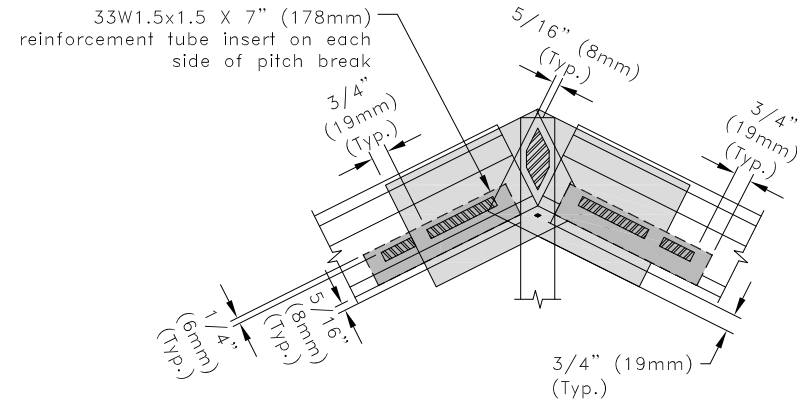


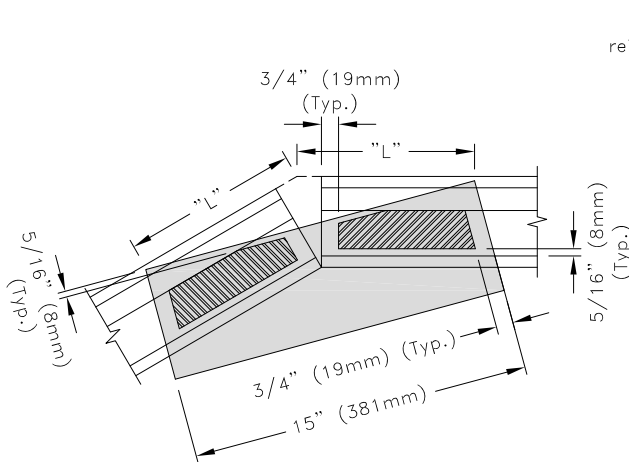
Fasteners Through The Lapped Area
43TSBUC5.0 or 54TSBUC5.0
Bent-U Pitch Break Connector



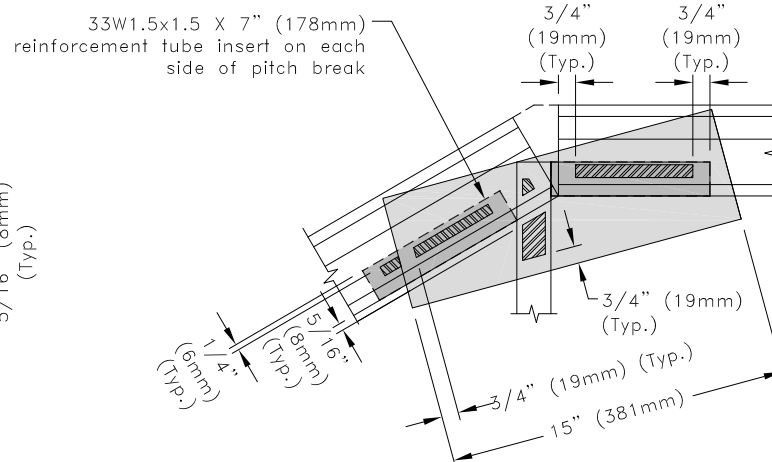
Fasteners Through The Chord Area
43TSBUC5.0 or 54TSBUC5.0
Bent-U Pitch Break Connector



Fasteners Through The Web Area
43TSBUC5.0 or 54TSBUC5.0
Bent-U Pitch Break Connector




Fasteners Through The Chord Area
54TSSPC5.0
Straight Pitch Break Connector



Fasteners Through The Web Area
54TSSPC5.0
Straight Pitch Break Connector

General Notes:

1. Fastener spacing and end distance is 3/4" (19mm) minimum, except as shown.
2. Refer to approved truss drawings for required fastener type and quantities for each fastener contact area.
3. Fastener contact areas that coincide with other contact areas may use a common fastener for both areas. This will result in a reduction in the total number of fasteners required at the pitch break joint.
4. Reinforcement tube to be attached to the chord with a minimum of (4) 14AMS.75 fasteners from each face. See approved truss drawing for total quantity of fasteners to be applied into chord area.
5. Lengths "L" are equal.
6.  = Fastener contact area.

TrusSteel[®]

www.TrusSteel.com

Florida: 1950 Marley Drive / Haines City, FL 33844 / (800) 755-6001
Missouri: 13389 Lakefront Drive / Earth City, MO 63045 / (800) 326-4102

**TSC3.00 or TSC4.00 Reinforced
Pitch Break Connector
14AMS.75 Fastener Areas**

ITW Building Components Group, Inc. shall not be responsible for any performance failure in a connection due to a deviation from this detail. Any variation from this detail shall be approved in advance by ITW Building Components Group, Inc.

Standard Detail:

TS016C

Date:

07/16/12

TrusSteel Detail Category:

Pitch Break Connections