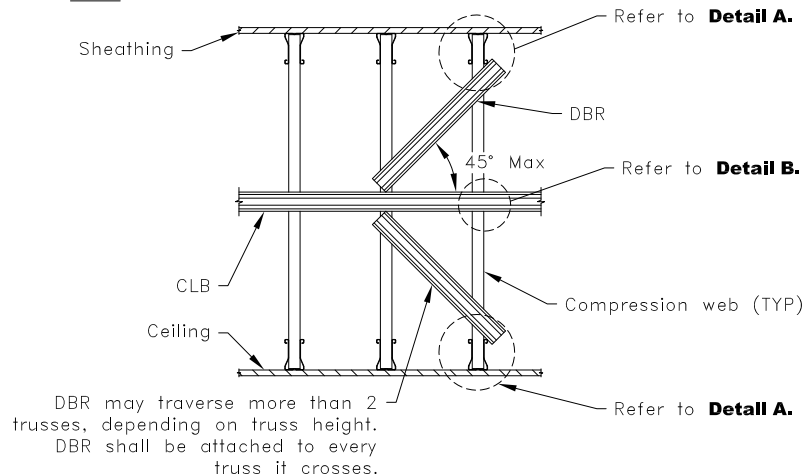
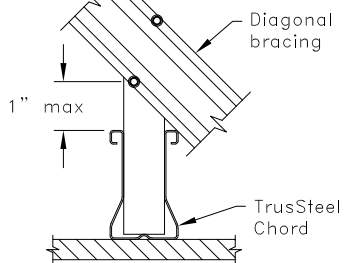


Figure 1. Web Bracing

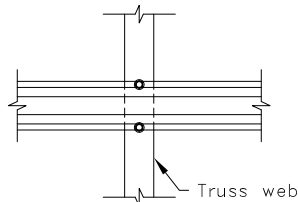
Note: Refer to TS017 for general web CLB restraint guidelines



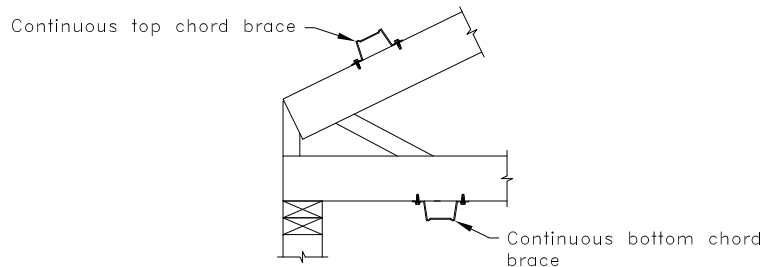
**Detail A**  
Connection of DBR to Web Near Chord



**Detail B**  
Connection of CLB to Web



**Detail C**  
Connection of CLB to Chords

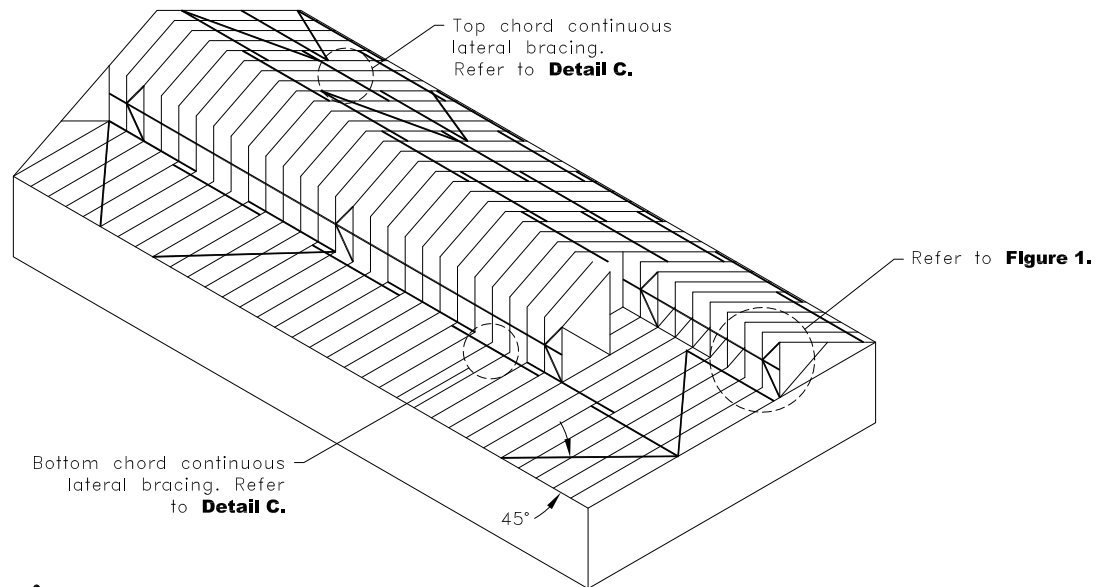


**NOTICE**

This detail is NOT to be used for design purposes. Refer to WARNING notes below for specific information regarding truss bracing.

Figure 2. Chord Bracing

**Danger!** Do not stand on bracing or use it in any way to support yourself during construction or any other time.



**WARNING! Temporary Bracing** - Trusses require extreme care in fabricating, handling, shipping, installing and bracing. Refer to chapters B1 and B2 of CFSBCSI, "Cold-Formed Steel Building Component Safety Information", for required brace material and connections, and for general guidance on safety practices prior to performing these functions. CFSBCSI is published by the Cold-Formed Steel Council (CFSC), 6300 Enterprise Lane, Madison, WI 53719. For additional guidance, refer to the Cold-Formed Steel Engineers Institute (CFSEI) technical note 551d titled, "Design Guide for Construction Bracing of Cold-Formed Steel Trusses". Consult a registered design professional if truss span is over 60'(18288mm) or truss spacing is over 48"(1219mm) o.c.

**WARNING! Permanent Bracing** - Permanent bracing systems and associated members and connections shall be designed by a registered design professional. For guidance, TrusSteel recommends referring to CFSEI Technical Note 551e titled, "Design Guide for Permanent Bracing of Cold-Formed Steel Trusses". Alternatively, the building designer and/or the registered design professional shall be permitted to specify permanent and individual truss member restraint/bracing in accordance with Section B4.5 of AISI S214-07/S2-08 (North American Standard for Cold-Formed Steel Framing - Truss Design).

- General Notes:  
 1. CLB = Continuous Lateral Brace  
 2. DBR = Diagonal Brace Restraint

**TrusSteel**<sup>®</sup>

www.TrusSteel.com

Florida: 1950 Marley Drive / Haines City, FL 33844 / (800) 755-6001  
 Missouri: 13389 Lakefront Drive / Earth City, MO 63045 / (800) 326-4102

General Guidelines for  
Temporary and Permanent  
Truss Bracing

ITW Building Components Group, Inc. shall not be responsible for any performance failure in a connection due to a deviation from this detail. Any variation from this detail shall be approved in advance by ITW Building Components Group, Inc.

Standard Detail:

TS015

Date:

07/16/12

TrusSteel Detail Category:

Bracing / Reinforcement