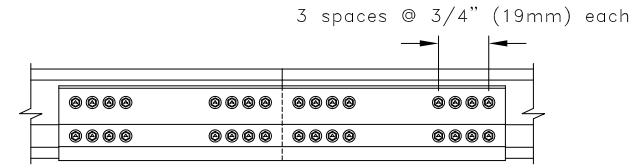
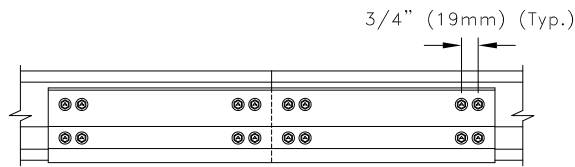


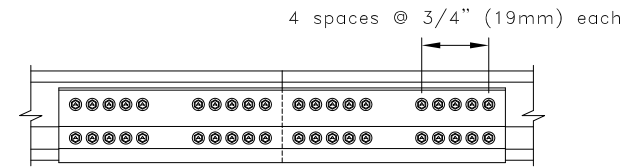
Detail "A"



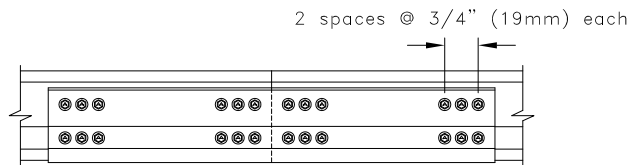
Detail "D"



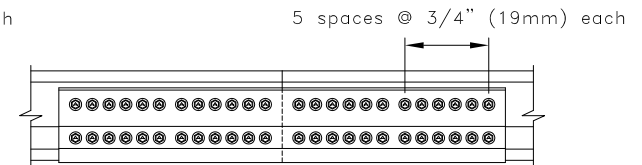
Detail "B"



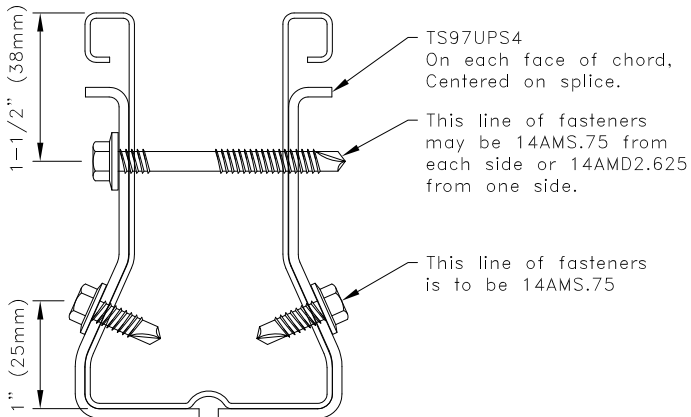
Detail "E"



Detail "C"



Detail "F"



TSC4.00

General Notes:

1. Fastener spacing and end distance is 3/4" (19mm) minimum.
2. Fasteners may be 14AMS.75 or 14AMD2.625. Refer to approved truss drawings for fastener type and detail call out.
3. Dimensions are typical for both sides of splice per splice detail.

**TrusSteel**<sup>®</sup>

www.TrusSteel.com

TSC4.00 Splices Using The  
TS97UPS4 Universal Piece

ITW Building Components Group, Inc. shall not be responsible for any performance failure in a connection due to a deviation from this detail. Any variation from this detail shall be approved in advance by ITW Building Components Group, Inc.

**Standard Detail:**

TS012B

**Date:**

07/16/12

**TrusSteel Detail Category:**

Chord Splices

Florida: 1950 Marley Drive / Haines City, FL 33844 / (800) 755-6001  
Missouri: 13389 Lakefront Drive / Earth City, MO 63045 / (800) 326-4102