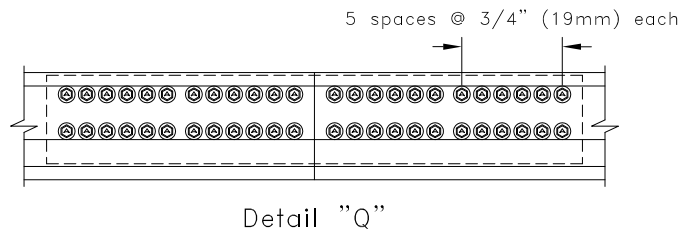
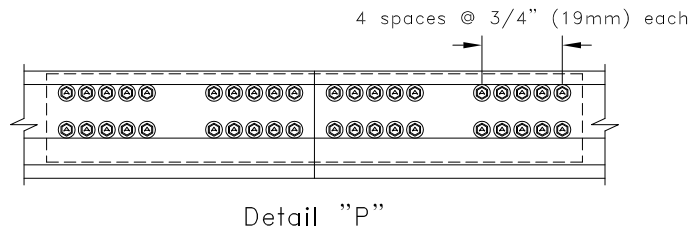
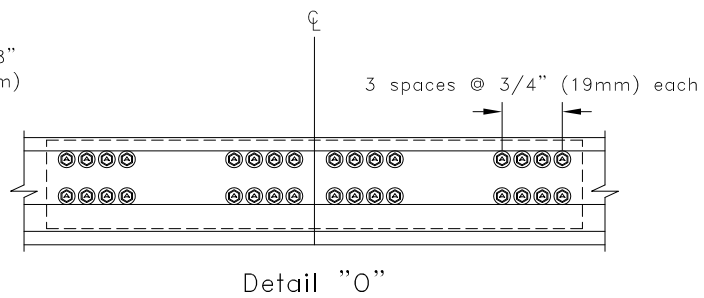
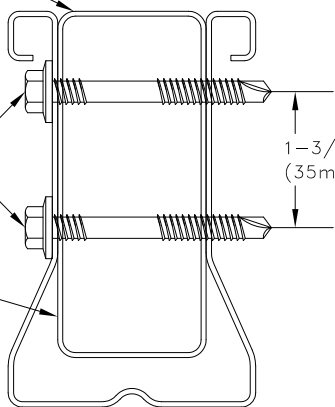
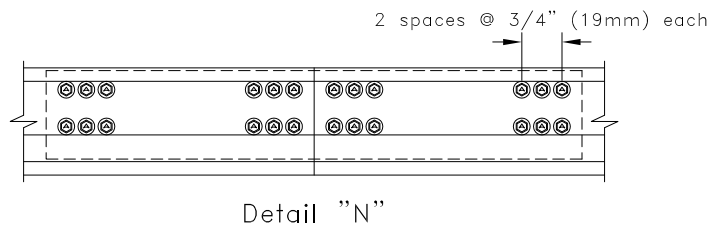
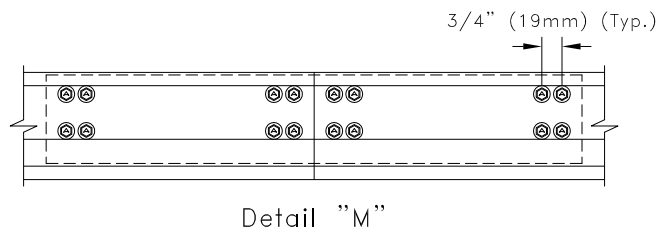
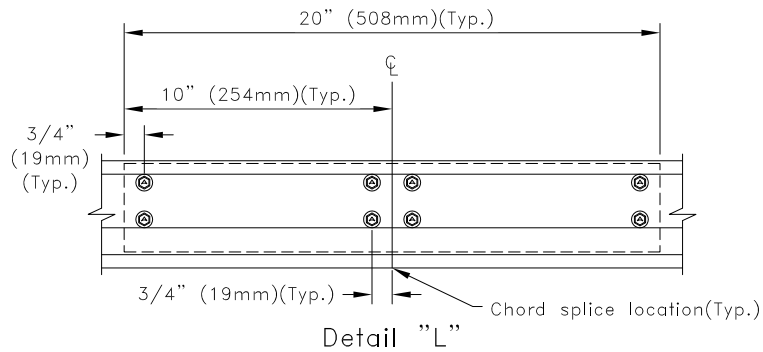


Place tube flush with top of chord

This line of fasteners may be  
14AMS.75 from each side or  
14AMDR2.375 from one side  
(See General Note #2)

63W1.5x3.5 1.5x3.5-63-45KSI  
20" (508mm) tube insert  
Center tube on splice

TSC4.00



General Notes:

1. Fastener spacing and end distance is 3/4" (19mm) minimum.
2. Fasteners may be 14AMS.75 or 14AMDR2.375 (14AMDB2.125 fasteners may be substituted for 14AMDR2.375 fasteners when the chord is 22g, 20g, 18g, or 16g). Refer to approved truss drawings for fastener type and detail call out.
3. Dimensions are typical for both sides of splice per splice detail.

**TrusSteel**<sup>®</sup>

www.TrusSteel.com

TSC4.00 Splices Using The  
"Tube Only" Splice

Florida: 1950 Marley Drive / Haines City, FL 33844 / (800) 755-6001  
Missouri: 13389 Lakefront Drive / Earth City, MO 63045 / (800) 326-4102

ITW Building Components Group, Inc. shall not be responsible for any performance failure in a connection due to a deviation from this detail. Any variation from this detail shall be approved in advance by ITW Building Components Group, Inc.

**Standard Detail:**

TS012A

**Date:**

07/16/12

**TrusSteel Detail Category:**

Chord Splices