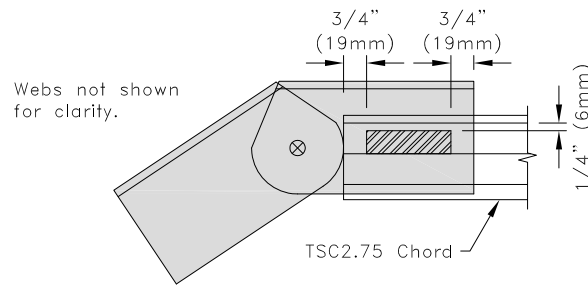
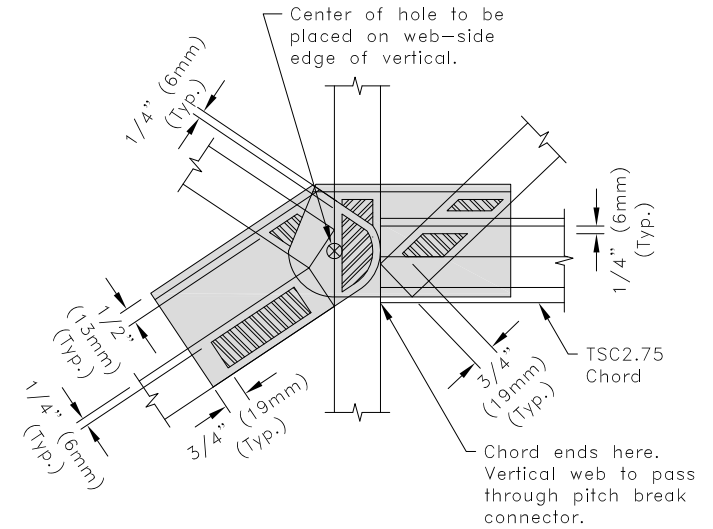


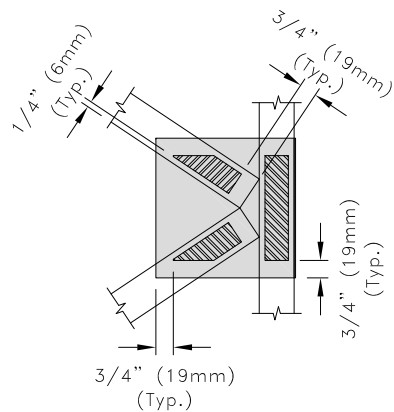
Fasteners Through The Lapped Area
33TSHC3.5K or 43TSHC3.5K
Hinged Pitch Break Connector



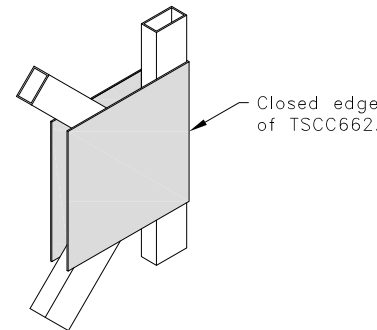
Fasteners Through The Chord Area
33TSHC3.5K or 43TSHC3.5K
Hinged Pitch Break Connector



Fasteners Through The Web Areas
33TSHC3.5K or 43TSHC3.5K
Hinged Pitch Break Connector




Fasteners Through The Web Areas
TSCC662 Clip Used In Web-To-Web
K-Web Connection



3D View Of TSCC662 With Webs
TSCC662 Clip Used In Web-To-Web
K-Web Connection

General Notes:

1. Fastener spacing and end distance is 3/4" (19mm) minimum, except as shown.
2. Refer to approved truss drawings for required fastener type and quantities for each fastener contact area.
3. Fastener contact areas that coincide with other contact areas may use a common fastener for both areas. This will result in a reduction in the total number of fasteners required at the pitch break joint.
4.  = Fastener contact area.

TrusSteel[®]

www.TrusSteel.com

**TSC2.75 K-Web Connector
Fastener Areas**

ITW Building Components Group, Inc. shall not be responsible for any performance failure in a connection due to a deviation from this detail. Any variation from this detail shall be approved in advance by ITW Building Components Group, Inc.

Standard Detail:

TS004A

Date:

07/16/12

TrusSteel Detail Category:

Pitch Break Connections

Florida: 1950 Marley Drive / Haines City, FL 33844 / (800) 755-6001
Missouri: 13389 Lakefront Drive / Earth City, MO 63045 / (800) 326-4102