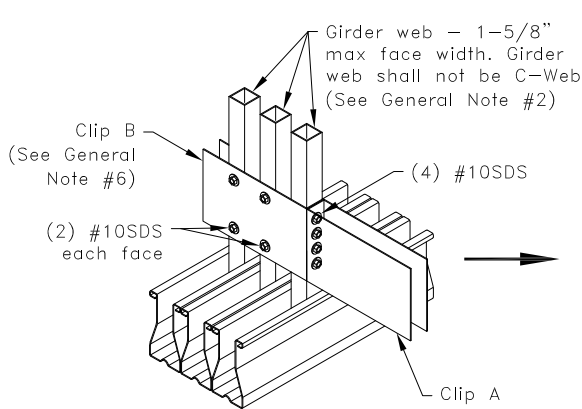


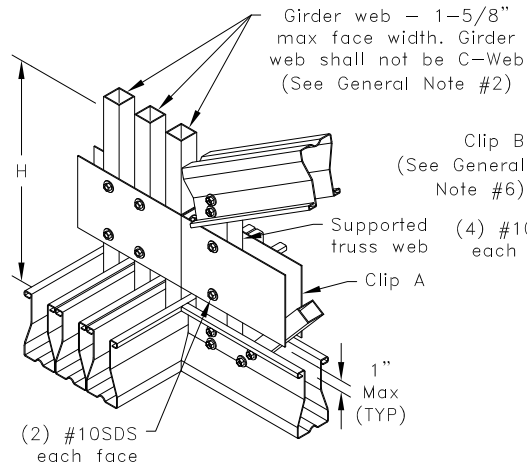
Typical Supported Truss to Girder Connection

Supported Truss Chord Size	H_{min} in (mm)	H_{max} in (mm)	Number of "A" Clips	Clip "A" Size		R = U lbs (kN)	
				Girder web is tube web or C-web	Girder web is Z-web	Supported web is C-web ^A	Both webs are tube or Z-webs ^B
				TSC2.75	9-1/2 (241)	48 (1219)	1
TSC3.00 or TSC4.00	12 (305)	48 (1219)	1	TTC7	TTC7	710 (3.16)	860 (3.83)
TSC2.75	19 (483)	no max limit	2	TTC5	TTC7	1420 (6.32)	1720 (7.65)
TSC3.00 or TSC4.00	24 (610)	no max limit	2	TTC7	TTC7	1420 (6.32)	1720 (7.65)

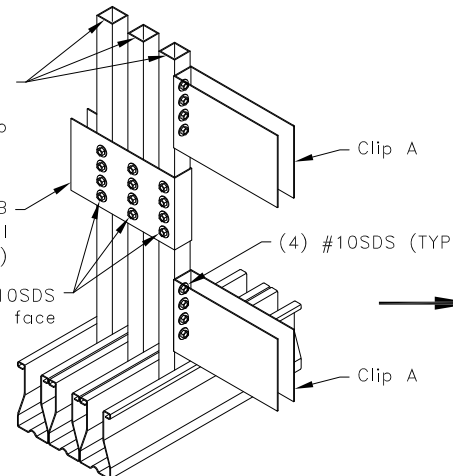
A. Use loads shown if supported web is a C-web.
B. Use loads shown if both the girder or supported web is a tube or Z-web.



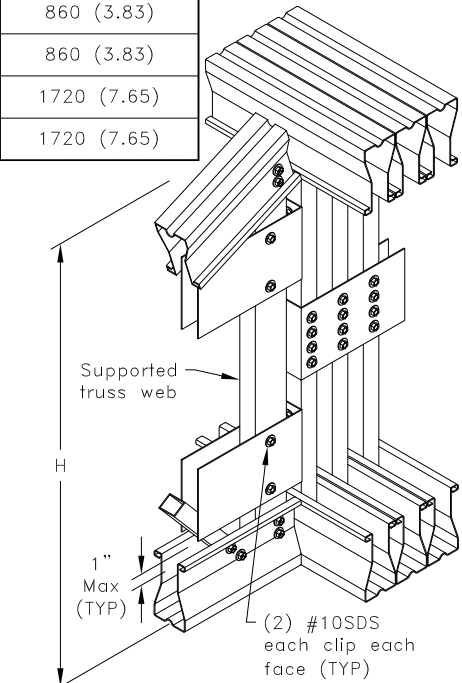
Initial Connection Of Clips To Girder Vertical Webs



Connection of Supported Truss to Girder



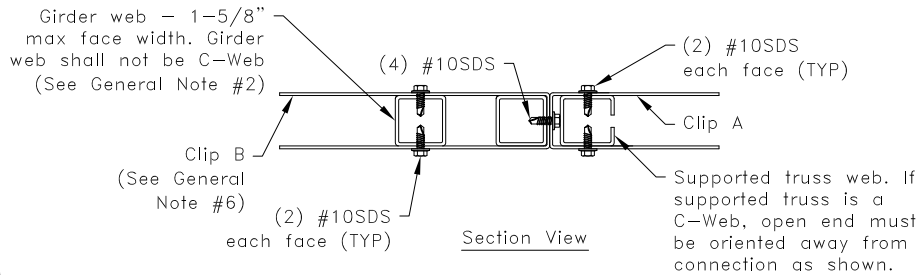
Initial Connection Of Clips To Girder Vertical Webs



Connection of Supported Truss to Girder

DOUBLE CLIP TRUSS TO TRUSS CONNECTION

SINGLE CLIP TRUSS TO TRUSS CONNECTION



General Notes:

1. The top and bottom chords of all trusses shall be properly connected to structural sheathing or purlins, designed by others.
2. If supported truss or girder web is a Z-web, refer to TS068 for connection areas.
3. SDS = Self-Drilling Tapping screw
4. Screw spacing, edge distance and end distance is 9/16" (14.3mm) minimum.
5. The supported truss must be designed utilizing a clip bearing type. For 2 clip connections, place within 1" of top and bottom chords as shown. For 1 clip connections, place within 1" of bottom chord, or as analyzed.
6. Clip "B" is TTC5 when girder web is W.75x.75 and TTC7 when girder web is W.75x1.5, W1.5x1.5 or Z1.5x1.62. (If girder web is Z1.5x1.62, bend TTC7 to fit.)
7. R = Allowable Reaction and U = Allowable Uplift.
8. H = Heel height of supported truss.
9. Cold-Formed Steel Calculations are per the 2010 supplement to the AISI 2007 "North American Specifications for the Design of Cold-Formed Steel Structural Members" (S100-07/S2-10).

TrusSteel®

www.TrusSteel.com

Face Mounted Truss To Truss Connection
Using TTC Clips (3 Ply Girder)

ITW Building Components Group, Inc. shall not be responsible for any performance failure in a connection due to a deviation from this detail. Any variation from this detail shall be approved in advance by ITW Building Components Group, Inc.

Standard Detail:
TS001F

Date:
07/16/12

TrusSteel Detail Category:
Truss-To-Truss Connections

Florida: 1950 Marley Drive / Haines City, FL 33844 / (800) 755-6001
Missouri: 13389 Lakefront Drive / Earth City, MO 63045 / (800) 326-4102