

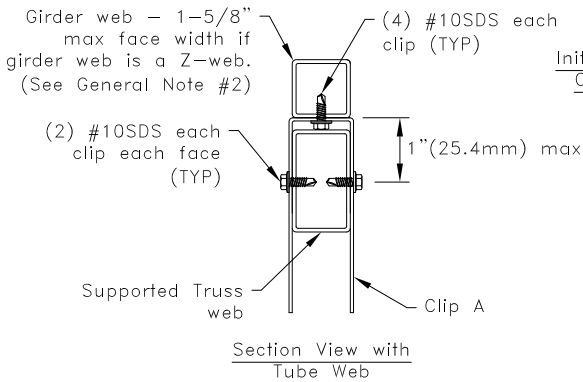
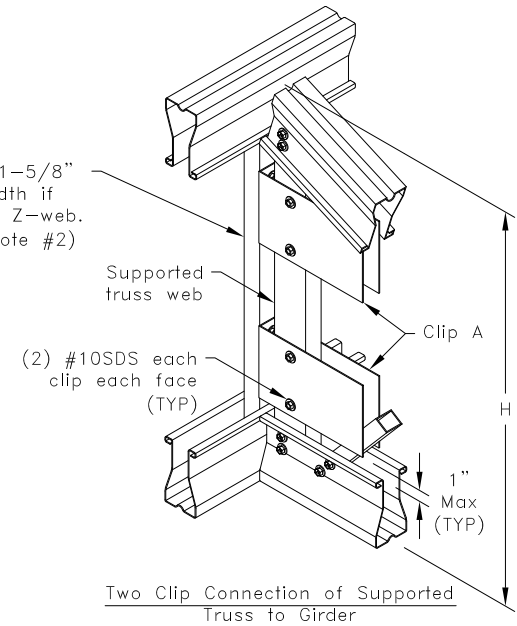
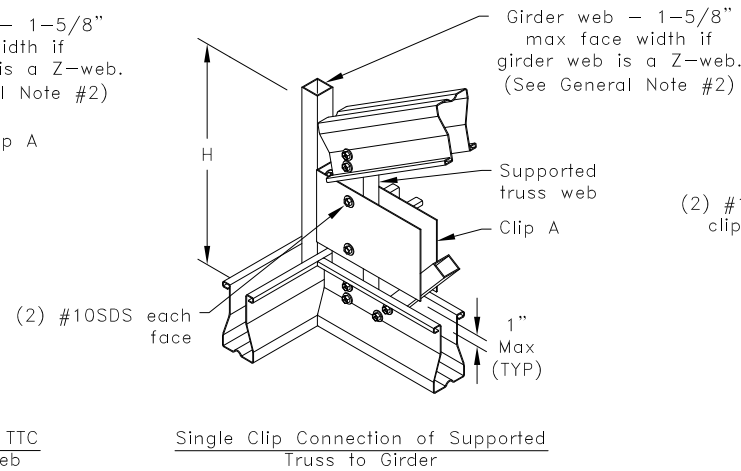
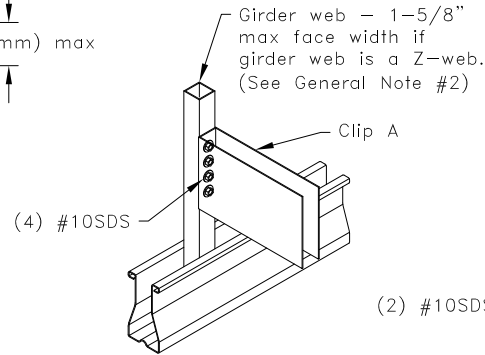
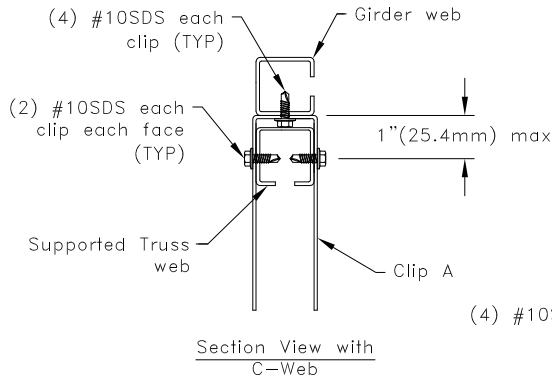
$$R = R_1 + R_2$$

$$U = U_1 + U_2$$

Typical Supported Truss to Girder Connection

Supported Truss Chord Size	H _{min} in (mm)	H _{max} in (mm)	Number of "A" Clips	Clip "A" Size		R = U lbs (kN)	
				Girder web is tube web or C-web	Girder web is Z-web	Either web is C-web ^A	Both webs are tube or Z-webs ^B
TSC2.75	9-1/2 (241)	48 (1219)	1	TTC5	TTC7	710 (3.16)	860 (3.83)
TSC3.00 or TSC4.00	12 (305)	48 (1219)	1	TTC7	TTC7	710 (3.16)	860 (3.83)
TSC2.75	19 (483)	no max limit	2	TTC5	TTC7	1420 (6.32)	1720 (7.65)
TSC3.00 or TSC4.00	24 (610)	no max limit	2	TTC7	TTC7	1420 (6.32)	1720 (7.65)

A. Use loads shown if either the girder or supported web is a C-web.
 B. Use loads shown if both the girder or supported web is a tube or Z-web.



General Notes:

- The top and bottom chords of all trusses shall be properly connected to structural sheathing or purlins, designed by others.
- If supported truss or girder web is a Z-web, refer to TS068 for connection areas.
- SDS = Self-Drilling Tapping Screws
- Screw spacing, edge distance and end distance is 9/16" (14mm) minimum.
- The supported truss must be designed utilizing a clip bearing type. For 1 clip connections, place within 1" of top and bottom chords as shown. For 2 clip connections, place within 1" of bottom chord, or as analyzed.
- R = Allowable Reaction and U = Allowable Uplift.
- H = Heel height of supported truss.
- Cold-Formed Steel Calculations are per the 2010 supplement to the AISI 2007 "North American Specifications for the Design of Cold-Formed Steel Structural Members" (S100-07/S2-10).

TrusSteel[®]

www.TrusSteel.com

Face Mounted Truss To Truss Connection
Using TTC Clips (1 Ply Girder)

ITW Building Components Group, Inc. shall not be responsible for any performance failure in a connection due to a deviation from this detail. Any variation from this detail shall be approved in advance by ITW Building Components Group, Inc.

Standard Detail:
TS001D

Date:
07/16/12

TrusSteel Detail Category:
Truss-To-Truss Connections

Florida: 1950 Marley Drive / Haines City, FL 33844 / (800) 755-6001
 Missouri: 13389 Lakefront Drive / Earth City, MO 63045 / (800) 326-4102